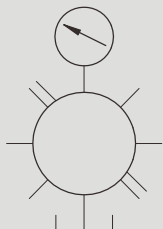


AM6E型六点压力表开关

AM6E SERIES PRESSURE GAUGE SWITCH WITH 6 POINTS

符号 SYMBOL



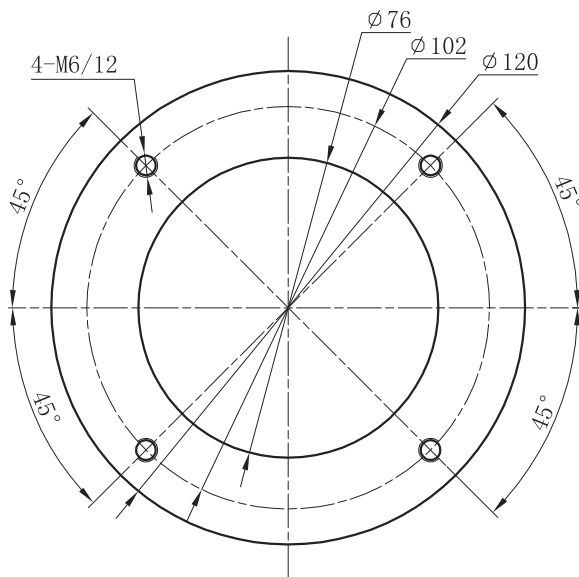
AM6E型压力开关为转阀式开关，借助于旋转的阀套，用于一个压力表可读出六个油路的压力。

AM6E series pressure gauge switch is a turned type switch. Only one can show the pressure in six oil lines by turning the valve bush.

▶ 技术参数 Technical data

| | |
|--|--|
| 最高允许工作压力(Mpa) Max. working pressure allowed (Mpa) | 31.5 |
| 回油口最高允许背压(Mpa) Max. back pressure allowed in return oil ports(Mpa) | 1 |
| 压力表显示范围(MPa) pressure gauge indicating range (MPa) | 2.5, 6, 10, 16, 25, 40 |
| 管接头螺纹规格 Union joint thread size | G1/4", Z1/4", M14X1.5 |
| 压力表接头螺纹 pressure gauge connection thread | G1/4", Z1/4", M14X1.5 |
| 介质温度范围(℃) Fluid temperature range (℃) | -20 ~ 80 |
| 重量(千克) Weight(KGS) | 2.2 |
| 阀体 (材料) 表面处理 Valve body (Material) Surface treatment | 钢件 表面发黑处理 Steel Body Surface Black Oxide |
| 油液清洁度/Oil cleanliness | NAS1638 9级和ISO4406 20/18/15级 NAS1638 class 9 and ISO4406 class 20/18/15 |

固定底板安装尺寸 Installation dimensions



| | | | | | |
|----|----|---|---------|---|---|
| AM | 6E | A | 20 / 40 | V | * |
|----|----|---|---------|---|---|

内装压力表的开关
Switch with the pressure gauge

有 6 个测压口
6 ports to measure the pressure

A=G1/4
B=M14x1.5

系列号
Series number

压力表显示范围 Indicating range of Pressure (Mpa)
2.5;6;10;16;25;40

附加说明
For further details

无=矿物质液压油 V=磷脂酸液压油
No code=NBR seals for petroleum oils
V=FPM seals for phosphate ester