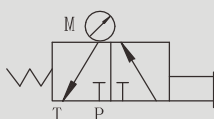


AM1E型压力表隔离阀

AM1E SERIES PRESSURE GAUGE SHUTTER

符号 SYMBOL



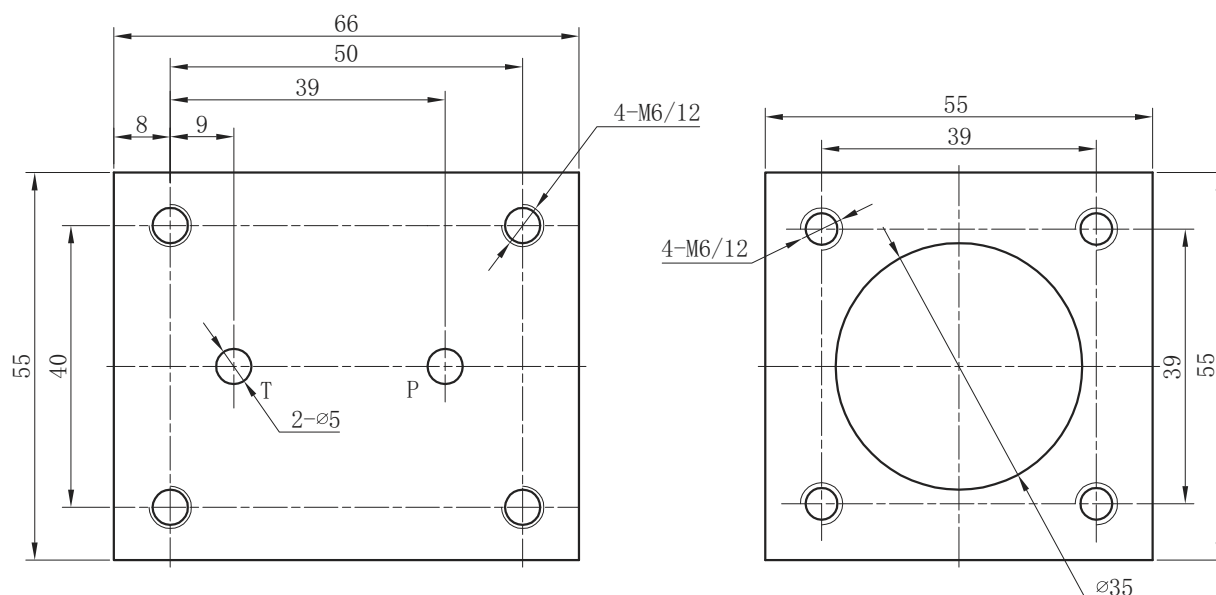
AM1E型压力表隔离阀是手动操作的三通滑阀，它用于偶尔检查主要工作压力。

AM1E series valve is a three-way slide valve operated manually, This series are used for checking a working pressure in hydraulic systems occasionally.

▶ 技术参数 Technical data

工作压力 (Mpa) Operating pressure (Mpa)	至 30/ To 30
压力表显示范围 (Mpa) Pressure Gauge Indicating (Mpa)	6.3 ; 10 ; 16 ; 25 ; 40
介质温度 (°C) Fluid temperature (°C)	-20 ~ 80
重量 (千克) Weight (KGS)	1.4
阀体 (材料) 表面处理 Valve body (Material) Surface treatment	铸件 表面磷化处理 casting phosphating surface
油液清洁度 / Oil cleanliness	NAS1638 9 级和 ISO4406 20/18/15 级 NAS1638 class 9 and ISO4406 class 20/18/15

▶ 固定底板安装尺寸 Subplate Installation dimensions



A	M	1	E	PA	30	/	X	40	*	*
---	---	---	---	----	----	---	---	----	---	---

隔离阀
Shutter

M=弹簧复位
M=Spring rebounding

1=通径6
1=Size 6

E=单个阀
E=Single valve

PA=G1/4
PB=M14x1.5

附加说明
For further details

无 = 丁晴橡胶
V= 氟橡胶

No code =NBR seals
V=FPM seals

压力表显示范围
Pressure gauge indicating range

X=不带附件; Y=带附件
X=Without accessories; Y=With accessories

Series number 系列号