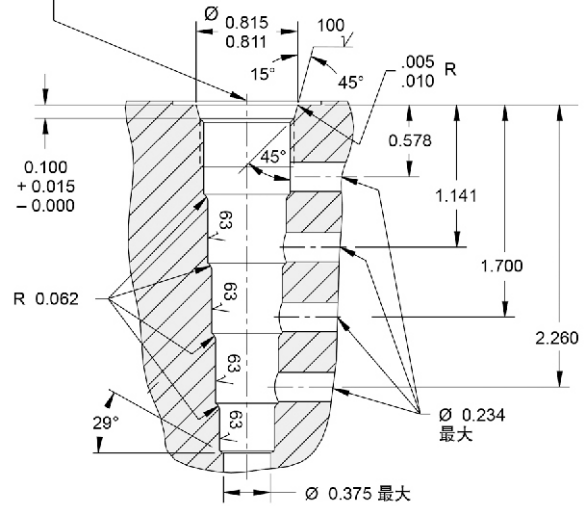


- ⊙1.188 (孔口平面直径) x .031 (深度) #
- ⊙0.439/0.437 (直径) x 2.770 (深度) *
- ⊙0.502/0.500 (直径) x 2.390 (深度) *
- ⊙0.564/0.562 (直径) x 1.830 (深度) *
- ⊙0.627/0.625 (直径) x 1.270 (深度) *
- ⊙0.690/0.686 (直径) x 0.718 (深度) *
- 3/4-16UNF-2B x 0.500 (深度) *



CAVITY 08-5