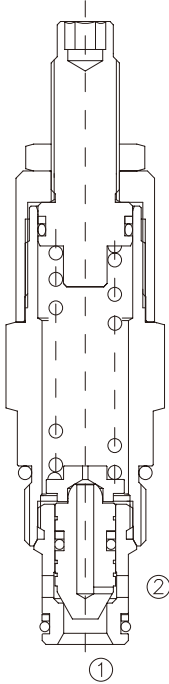


HADRV-10

直动式溢流阀

Direct-Acting, Poppet-Type, Cartridge Relief Valve



OPERATION

工作原理

The valve prevents flow from ① to ② until the set crack pressure at ① is achieved. The poppet then unseats allowing flow from ① to ② protecting the circuit from over pressurization.

当在①口的压力超过调压弹簧设定的压力时，阀芯打开，①到②通，防止系统过压。

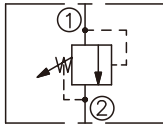
FEATURES

特性

- Adjustments cannot be backed out of the valve · 调节杆不会被旋出
- Fast response to pressure surges · 迅速响应压力变化
- Industry common cavity · 工业通用插孔
- Compact size · 紧凑结构

SYMBOL

机能符号



SPECIFICATIONS

技术参数

最大工作压力(Max. Operating Pressure): 227Bar

流量(Flow): See PRESSURE DROP VS.FLOW graph.

内泄漏(Internal Leakage): 5 drops/min max. to 80% of nominal setting

闭合压力(Reseat Pressure): 80% of crack pressure 开启压力

(crack pressure at 0.95 lpm)

弹簧调压范围(Standard Spring Ranges): 3.4 to 41 bar

10 to 82.7 bar

17 to 159 bar

18 to 227 bar

过滤(Filtration): ISO 19/17/14

介质温度(Temperature): -30 °C to +120°C

介质(Fluids): Mineral-based fluids

For other fluid compatibility, consult factory.

矿物油.其它流体请咨询工厂。

插孔 Cavity: 10-2

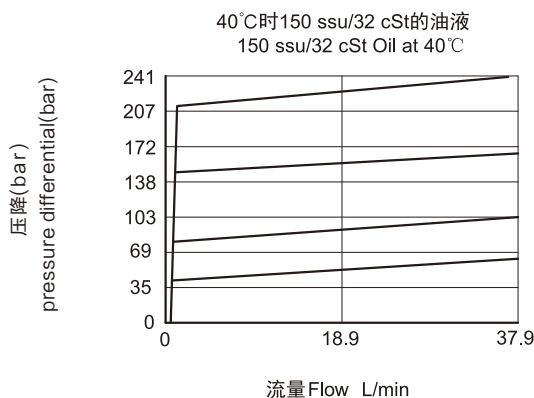
阀块材料(Body Material): 6061-T6 aluminum alloy rated at 207bar,

Steel rated at 350bar

6061-T6,允许使用最大压力207Bar, 钢材允许最大压力350bar

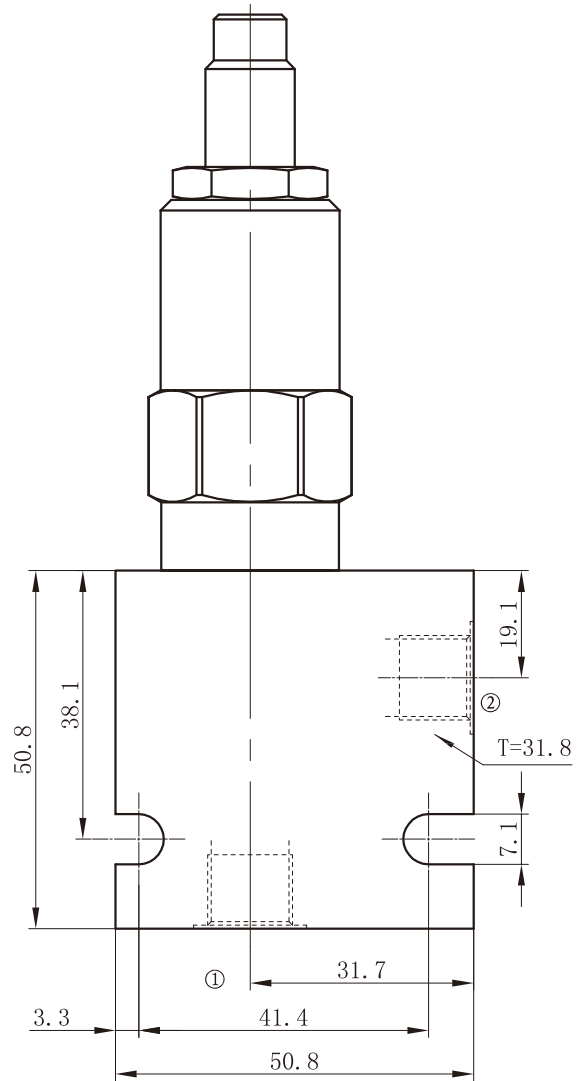
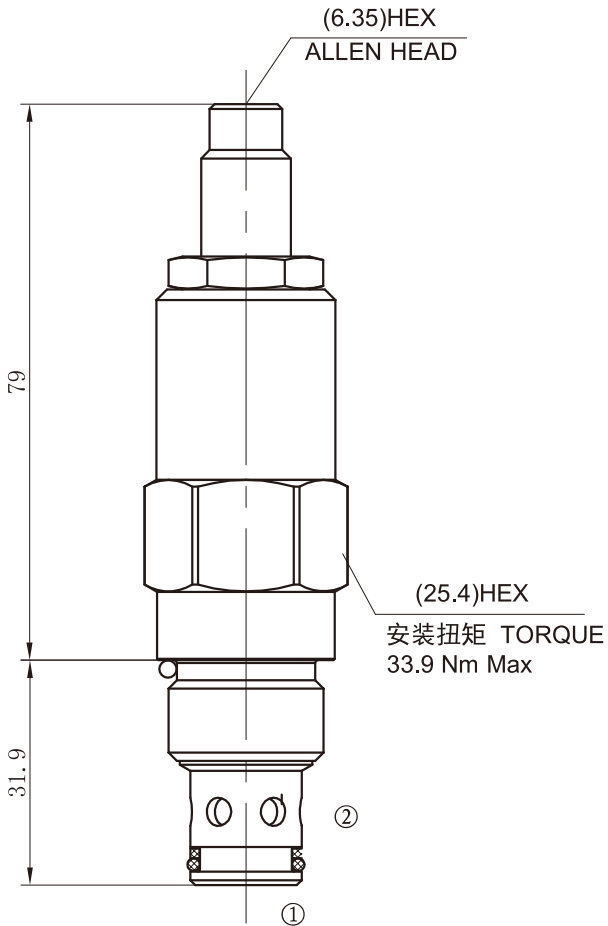
PRESSURE DROP VS.FLOW

性能图



INSTALLATION DIMENSIONS 安装尺寸

Unit=Millimeters



HADRV - 10 - * - * / * - *

直动式溢流阀
Direct-Acting, Relief Valve

10 规格 10 Size

弹簧调压范围 Spring Ranges
6=3.4-41 bar (50-600psi)
12=10-82.7 bar (150-1200psi)
23=17-159 bar (250-2300psi)
33=18-227 bar (260-3300psi)

调节方式 Adjustment
省略为内六角调节杆
(Omit for 1/4 Hex Allen head)

阀块油口 Body Porting
6T=SAE6
3G=G3/8
Other Porting is Available
其它螺纹油口也是可以选择的
(Omit for Cartridge only
省略为不带阀块)

设定压力 Setting In Bar
例Example:0160=160bar
Omit for standard省略则为标准