

# HADRV-08

## 直动式溢流阀

Direct-Acting, Poppet-Type, Cartridge Relief Valve

### OPERATION

#### 工作原理

The valve prevents flow from ① to ② until the set crack pressure at ① is achieved. The poppet then unseats allowing flow from ① to ② protecting the circuit from over pressurization.

当在①口的压力超过调压弹簧设定的压力时，阀芯打开，①到②通，防止系统过压。

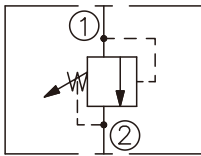
### FEATURES

#### 特性

- Adjustments cannot be backed out of the valve
- Smooth response to pressure surges
- Industry common cavity
- Compact size
- 调节杆不会被旋出
- 平滑响应压力变化
- 工业通用插孔
- 紧凑结构

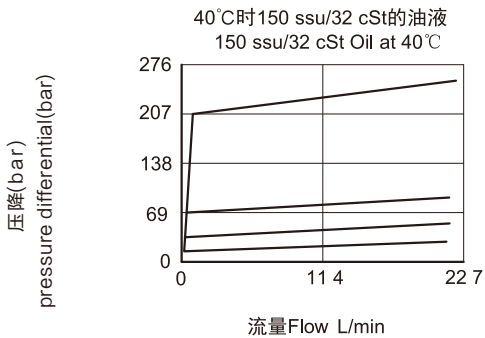
### SYMBOL

机能符号



### PRESSURE DROP VS.FLOW

性能图



### SPECIFICATIONS

#### 技术参数

- 最大工作压力(Max. Operating Pressure):** 250Bar
- 流量(Flow):** See PRESSURE DROP VS.FLOW graph.
- 内泄漏(Internal Leakage):** 5 drops/min max. to 80% of nominal setting
- 闭合压力(Reseat Pressure):** 80% of crack pressure 开启压力  
(crack pressure at 0.95 lpm )
- 弹簧调压范围(Standard Spring Ranges):** 4 to 35 bar  
7 to 76 bar  
17.2 to 159 bar  
17.2 to 250 bar

**过滤(Filtration):** ISO 19/17/14

**介质温度(Temperature):** -30 °C to +120°C

**介质(Fluids):** Mineral-based fluids

For other fluid compatibility, consult factory.

矿物油.其它流体请咨询工厂。

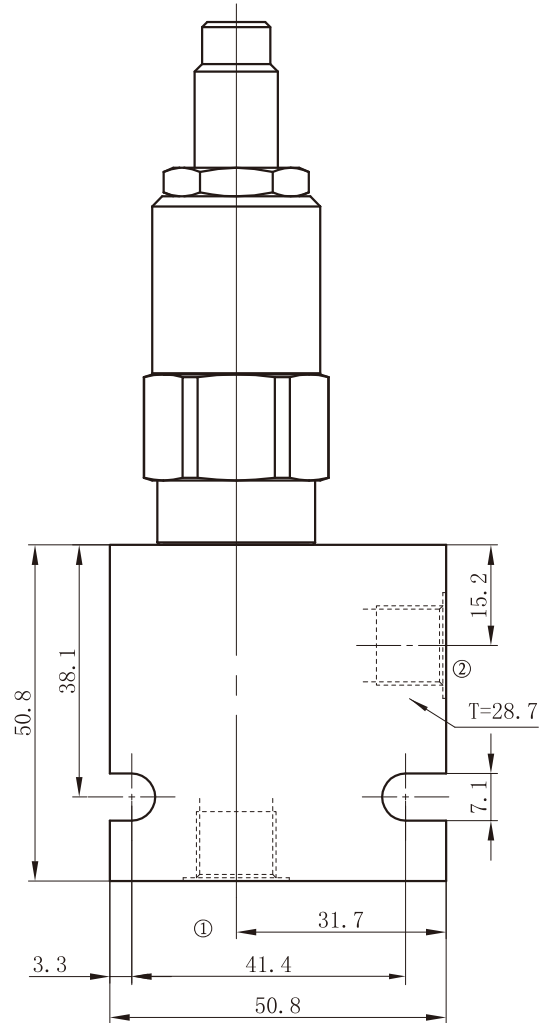
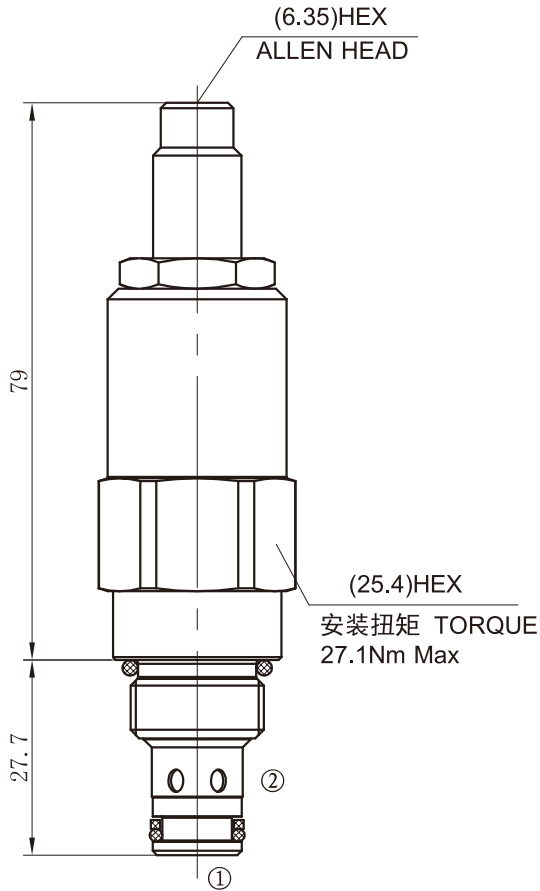
**插孔 Cavity:** 08-2, See page 123 08-2, 参见 123 页

**阀块材料(Body Material):** 6061-T6 aluminum alloy rated at 207bar, Steel rated at 350bar

6061-T6, 允许使用最大压力207Bar, 钢材允许最大压力350bar

# INSTALLATION DIMENSIONS 安装尺寸

Unit=Millimeters



HADR V | 08 | \* | \* | / | \* | \*

直动式溢流阀  
Direct-Acting, Relief Valve

08 规格 08 Size

弹簧调压范围 Spring Ranges  
5=4-35 bar (58-500psi)  
11=7-76 bar (100-1100psi)  
23=17.2-159 bar (250-2300psi)  
36=17.2-250 bar (250-3600psi)

调节方式 Adjustment  
省略为内六角调节杆  
(Omit for 1/4 Hex Allen head)

阀块油口 Body Porting  
4T=SAE4  
6T=SAE6  
2G=G1/4  
3G=G3/8  
Other Porting is Available  
其它螺纹油口也是可以选择的  
(Omit for Cartridge only  
省略为不带阀块)

设定压力 Setting In Bar  
例Example:0160=160bar  
Omit for standard 省略则为标准