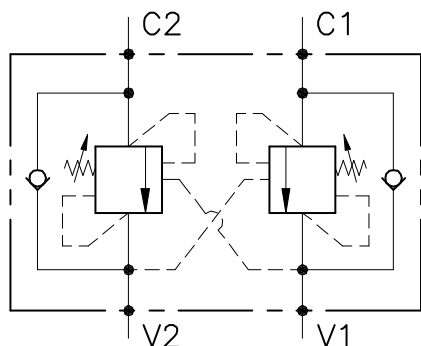


HSN01.660 型管式双作用平衡阀

DOUBLE COUNTERBALANCE VALVE WITH IN LINE BODY



性能

| | |
|---------|----------------------------|
| 公称口径 | DN 8/10 |
| 最小/最大流量 | 1/60 l/min - 0.26/15.9 GPM |
| 最大峰值压力 | 350 bar - 5075 PSI |
| 最大设定压力 | 350 bar - 5075 PSI |
| 标准先导比 | 4.25: 1 |
| 室温 | -30°C + 50°C |
| 油温 | -30°C + 80°C |
| 推荐过滤 | 30 micron |
| 重量 | 2.586 Kg |

PERFORMANCE

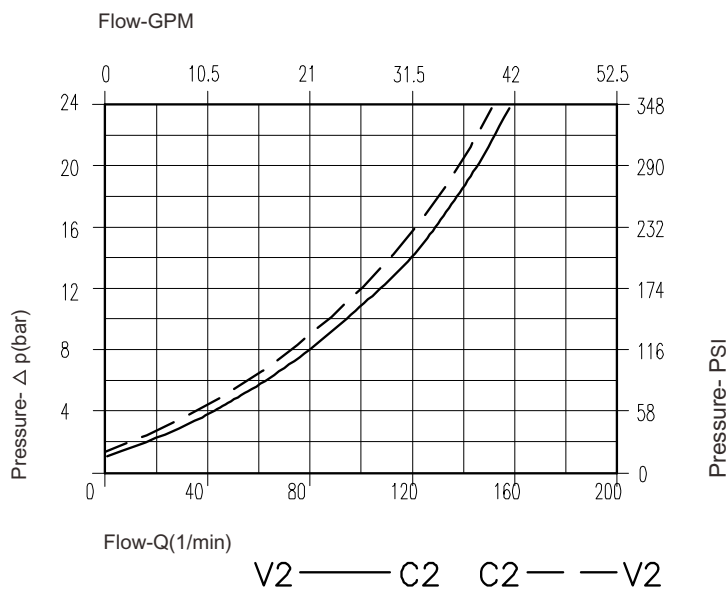
| |
|------------------------|
| Rated size |
| Min/max flow-rate |
| Max peak pressure |
| Max setting pressure |
| Standard pilot ratio |
| Room temperature |
| Oil temperature |
| Recommended filtration |
| Weight |

NOTE:

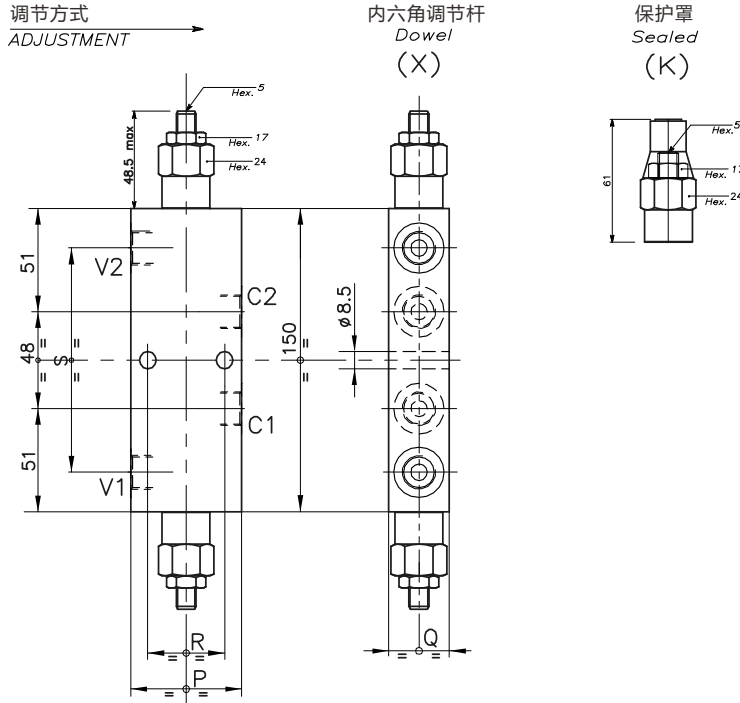
阀设定压力至少为负载压力的1.3倍
Valve should be set at 1.3 times load induced pressure.

EXAMPLE:

最大工作压力
Max working pressure:
350 bar / 1.3 = 270 bar



油液粘度46cSt 50°C
Oil viscosity 46 cSt at 50°C



尺寸 DIMENSIONS

| 调压范围 Setting range | | P | Q | R | S | 油口规格 Port size V2-C2 V1-C1 GAS (BSPP) | 公称通径 Rated size DN | 最大流量 Max flow-rate l/min - GPM |
|-----------------------|-----|----|----|----|-------|---|--------------------------|--------------------------------------|
| 697 | 660 | 55 | 30 | 38 | 109,6 | 3/8" | 8 | 40-10 |
| 696 | 695 | 65 | 35 | 43 | 112 | 1/2" | 10 | 60-15 |

订货型号 HOW TO ORDER

HSN01 . 660 . 0 X 0 . A

| 设定范围 Setting range | | 先导比 Pilot ratios | | 调节方式 Adjustment | | 阀体 Body | |
|--|---|--|---|-----------------|--|-----------------------------|--|
| 697 | 660 | O 4.25: 1 | | X 内六角调节杆 Dowel | | A 钢件镀锌 Zinc plated steel | |
| 696 | 695 | | | K 保护罩 Sealed | | | |
| 调压范围 Setting range 30+220 bar | | 调压范围 Setting range 60+350 bar | | | | | |
| 标准设定压力 Std. bar setting (Q=5 l/1') | 每周调压值 Pressure rise - turn of screw | 标准设定压力 Std. bar setting (Q=5 l/1') | 每周调压值 Pressure rise - turn of screw | | | | |
| 180 bar | (50) | 250 bar | (90) | | | | |