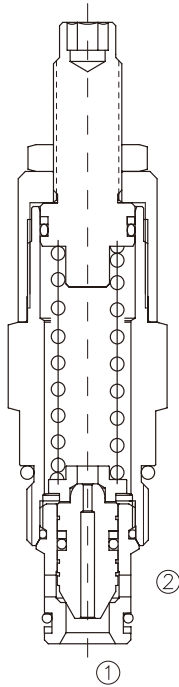


HDRV-10

差动式溢流阀

Direct-Acting, Poppet-Type, Cartridge Relief Valve



OPERATION

工作原理

The valve prevents flow from ② to ① until the set crack pressure at ② is achieved. The poppet then unseats allowing flow from ② to ① protecting the circuit from over pressurization.

当在②口的压力超过调压弹簧设定的压力时，阀芯打开，②到①通，防止系统过压。

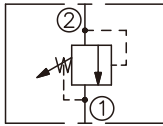
FEATURES

特性

- Adjustments cannot be backed out of the valve
- Smooth response to pressure surges
- Industry common cavity
- Compact size
- 调节杆不会被旋出
- 平滑响应压力变化
- 工业通用插孔
- 紧凑结构

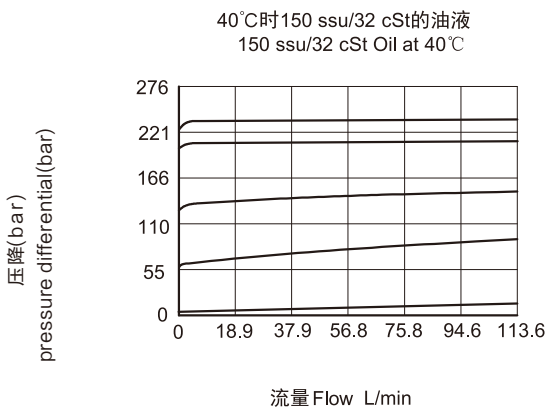
SYMBOL

机能符号



PRESSURE DROP VS.FLOW

性能图



SPECIFICATIONS

技术参数

- 最大工作压力(Max. Operating Pressure):** 207Bar
- 流量(Flow):** See PRESSURE DROP VS.FLOW graph.
- 内泄漏(Internal Leakage):** 5 drops/min max. to 80% of nominal setting
- 闭合压力(Reseat Pressure):** 80% of crack pressure 开启压力
(crack pressure at 0.95 lpm)
- 弹簧调压范围(Standard Spring Ranges):**
 - 3.4 to 41 bar
 - 10 to 82.7 bar
 - 17 to 159 bar
 - 20 to 207 bar

过滤(Filtration): ISO 19/17/14

介质温度(Temperature): -30 °C to +120°C

介质(Fluids): Mineral-based fluids

For other fluid compatibility, consult factory.

矿物油.其它流体请咨询工厂.

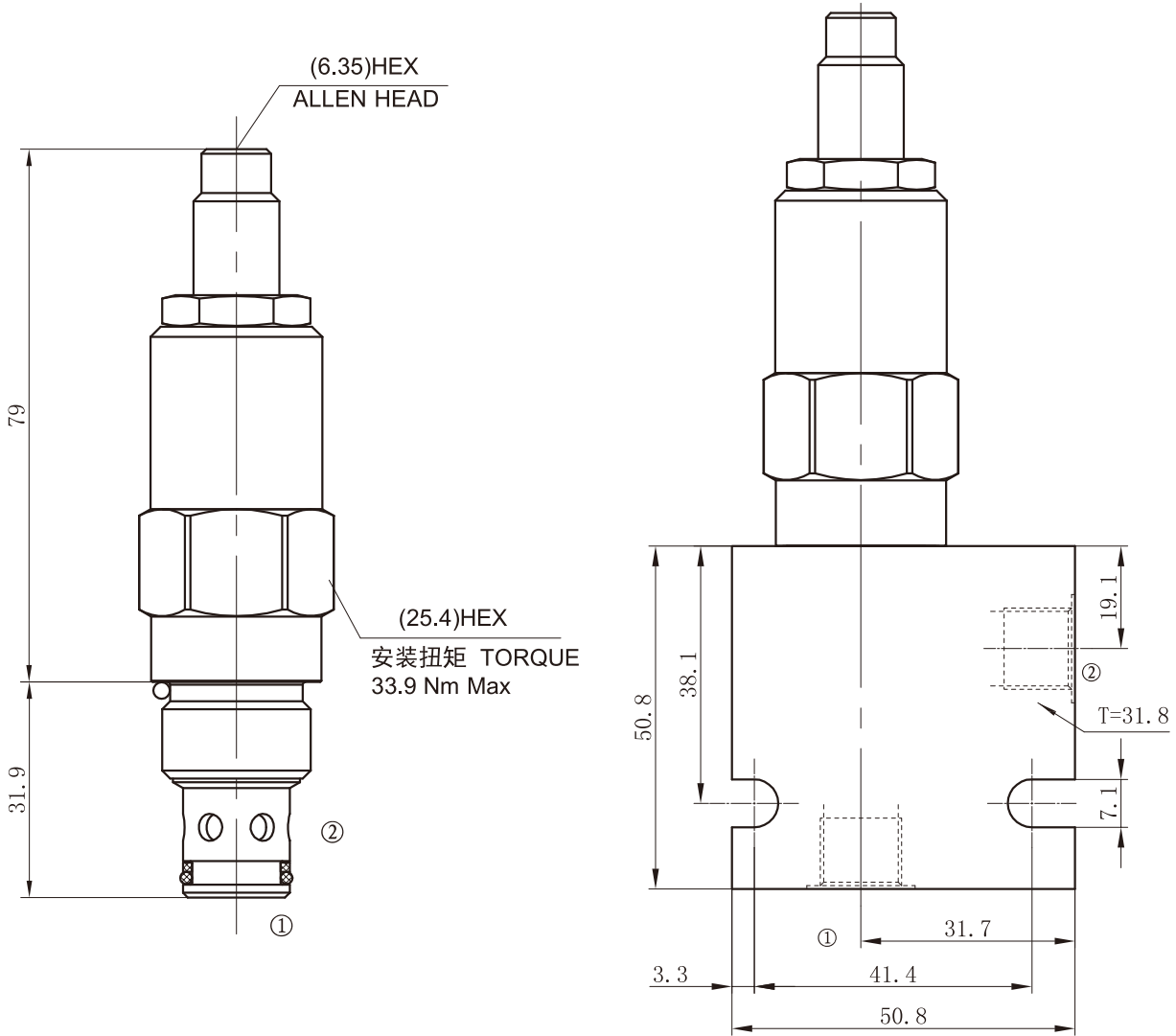
插孔 Cavity: 10-2

阀块材料(Body Material): 6061-T6 aluminum alloy rated at 207bar, Steel rated at 350bar

6061-T6,允许使用最大压力207Bar, 钢材允许最大压力350bar

INSTALLATION DIMENSIONS 安装尺寸

Unit=Millimeters



HDRV 10 * * / * *

差动式溢流阀
Direct-Acting,
Differential Area,
Relief Valve

10 规格 10 Size

弹簧调压范围 Spring Ranges
6=3.4-41 bar (50-600psi)
12=10-82.7 bar (150-1200psi)
23=17-159 bar (250-2300psi)
30=20-207 bar (290-3000psi)

调节方式 Adjustment
省略为内六角调节杆
(Omit for 1/4 Hex Allen head)

阀块油口 Body Porting
6T=SAE6
3G=G3/8
Other Porting is Available
其它螺纹油口也是可以选择的
(Omit for Cartridge only
省略为不带阀块)

设定压力 Setting In Bar
例Example:0160=160bar
Omit for standard省略则为标准