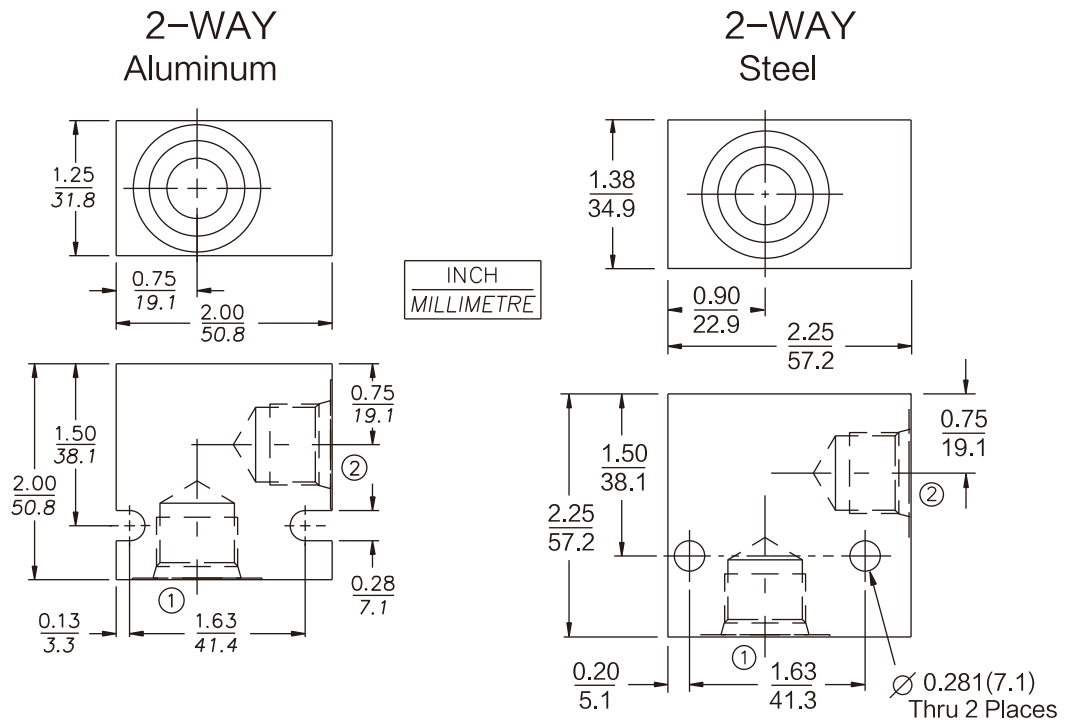


Series 10 2-WAY Housings
标准阀块



SERIES 10 2-WAY HOUSINGS			
Part No.	Material	Operating Pressure	Ports
HB10-2-A-6T	Aluminum,6061-T6	210 bar (3000 psi)	SAE 6
HB10-2-A-8T	Aluminum,6061-T6	210 bar (3000 psi)	SAE 8
HB10-2-A-3G	Aluminum,6061-T6	210 bar (3000 psi)	G 3/8
HB10-2-A-4G	Aluminum,6061-T6	210 bar (3000 psi)	G 1/2
HB10-2-S-6T	Steel	350 bar (5000 psi)	SAE 6
HB10-2-S-8T	Steel	350 bar (5000 psi)	SAE 8
HB10-2-S-3G	Steel	350 bar (5000 psi)	G 3/8
HB10-2-S-4G	Steel	350 bar (5000 psi)	G 1/2