

# HSV10-47B

## 三位四通电磁阀 滑阀型

Four-Way, Three-Position, Spool-Type  
Cartridge Solenoid Valve

### OPERATION

#### 工作原理

When de-energized, the four oil ports are connected.  
When S1 energized, the cartridge's spool shifts to allow flow from ③ to ④ and from ② to ①.  
When S2 energized, the cartridge's spool shifts to allow flow from ③ to ② and from ④ to ①.

失电时，①②③④互通  
S1得电，③流向④，②流向①；  
S2得电，③流向②，④流向①。

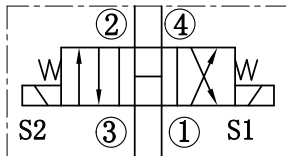
### FEATURES

#### 特性

- Continuous-duty solenoid
- Optional coil voltages and terminations
- Manual override option
- Efficient wet-armature construction
- Industry common cavity
- Compact size
- 可持续工作的电磁铁
- 可选线圈电压和终端
- 可带手动卸荷
- 高效能的电磁铁结构
- 工业通用插孔
- 结构紧凑

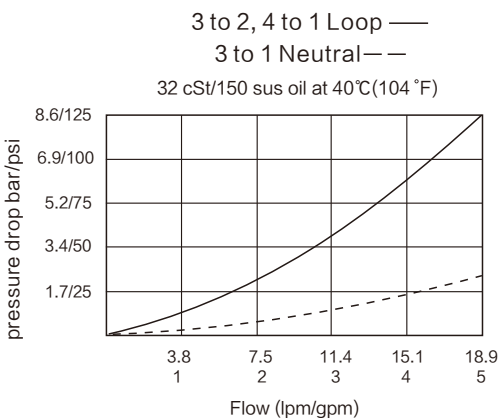
### SYMBOL

#### 机能符号



### PRESSURE DROP VS.FLOW

#### 性能图



### SPECIFICATIONS

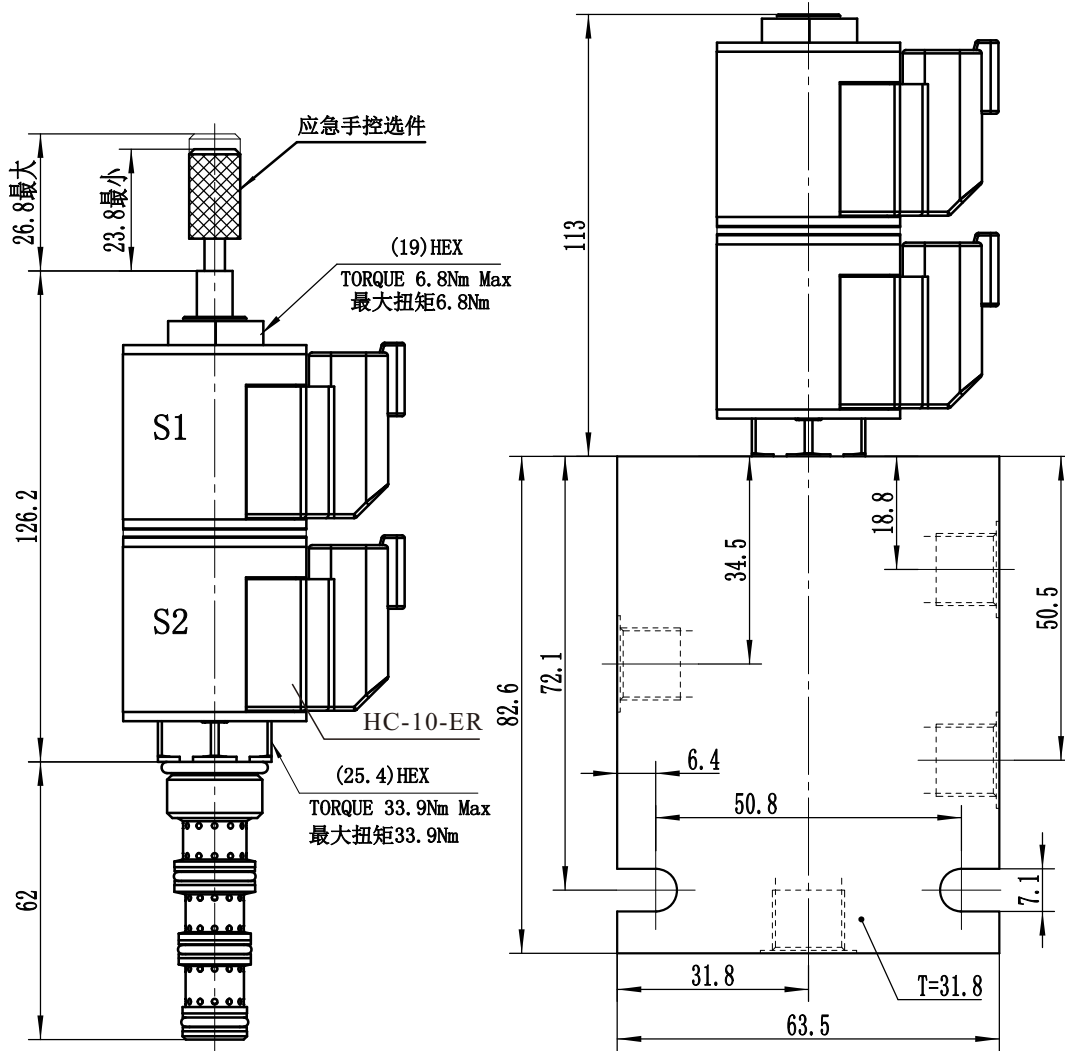
#### 技术参数

工作压力 Working Pressure : 240bar  
 最大流量 Max Flow: 22.7L/min  
 内泄漏 Internal Leakage: <328ML/min. Max at 207bar  
 温度范围 Temperature Range: -30°C+120°C  
 线圈电压范围 Coil Rating:  
 90% to 110% of Rated Voltage  
 过滤 Filtration:  
 Critical Application-ISO 18/16/13  
 Non-Critical Application-ISO 19/17/14  
 介质 Fluids: 矿物油 Mineral-based fluids  
 插孔 Cavity: 10-4

# INSTALLATION DIMENSIONS 安装尺寸

Coil Must Be Installed With Lettering Up  
安装线圈时字母必须朝上

Unit=Millimeters



HSV10-47B	*	*	*	*	*
-----------	---	---	---	---	---

M=Manual Override 手动卸荷  
Omit for standard 省略为常规

BODY PORTING 阀块油口  
6T=SAE6  
8T=SAE8  
2B=G1/4  
3B=G3/8  
Other Porting is Available  
其它螺纹油口也是可以选择的  
( Omit of Cartridge only  
省略为不带阀块 )

密封材料  
N=Nitrile Rubber Buna 丁晴橡胶(标准型)

COIL CONNECTION 线圈连接  
D=Double Lead 双线  
H=Hirschmann 三插  
ER=Deutsch Connector  
(Water proof Coil)  
德意志插座 (防水线圈)

VOLTAGE 电压  
1=12V Volt DC  
2=24V Volt DC  
3=110V Volt AC  
4=220V Volt AC