

DWMG25 型手动换向阀

DWMG25 SERIES MANUALLY OPERATED DIRECTIONAL VALVES



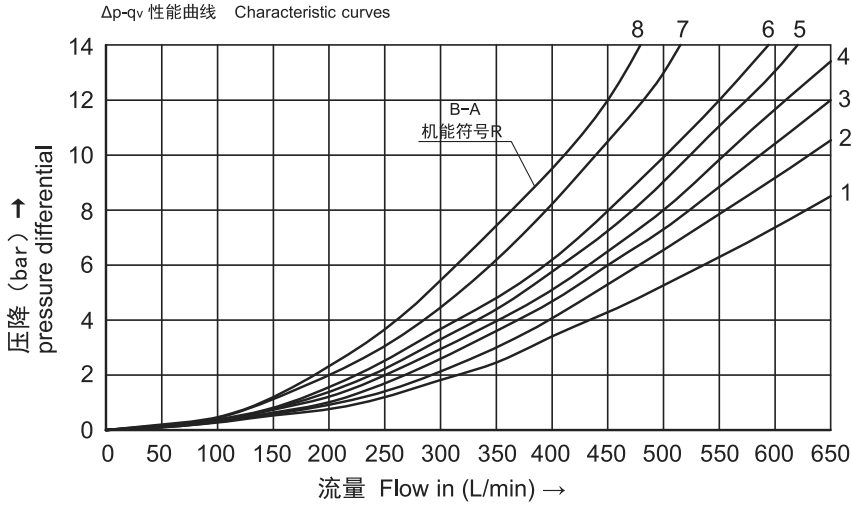
DWMG25 型手动换向阀是通过手柄的操作使阀芯做轴向移动，从而对油路进行切换的直动式换向阀，采用定位器或弹簧复位装置。

DWMG25 series manually operated directional valves are direct type directional valves ,It can control the start ,stop & direction of fluid flow. This series with detent or return spring are available.

▶ 技术参数 Technical data

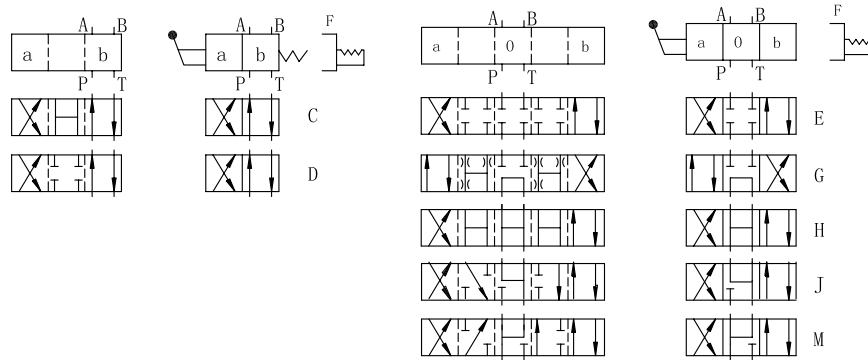
通径 Size	25
流量 Flow rate(L/min)	650
工作压力 (Mpa)Operating pressure(Mpa)	A、B、P 油口 31.5T 油口 16/A、B、P oilports 31.5 T oil ports16
重量 (千克) Weight(KGS)	19.4
阀体 (材料) 表面处理 Valve body (Material) Surface treatment	铸件 表面磷化处理 casting phosphating surface
油液清洁度 /Oilcleanliness	NAS1638 9 级和 ISO4406 20/18/15 级 NAS1638 class 9 and ISO4406 class 20/18/15

► 特性曲线 Characteristic curves 4DWMG25

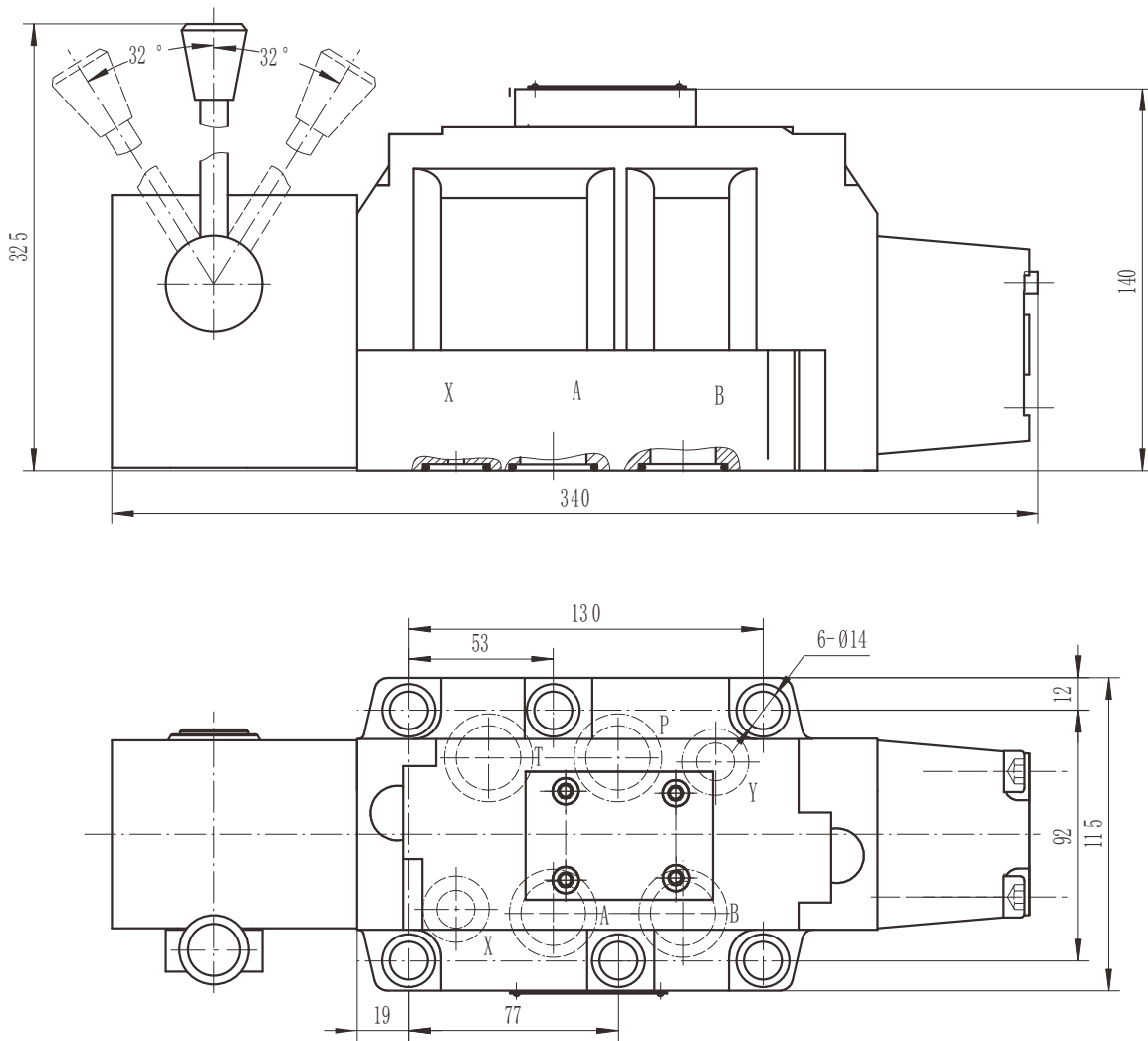


机能符号 Spool symbol	切换位置 Spool position			
	P-A	P-B	A-T	B-T
E	1	1	1	3
G	3	1	2	4
H	4	4	3	4
J	2	2	3	5
M	4	4	1	4

► DWMG25 机能符号 DWMG25 Spool symbols



DWMG25 外型尺寸 DWMG25 Overall Dimensions



阀固定螺钉

6 个 M12X60 GB/T 70.1-12.9 级 拧紧扭矩 Ma=130Nm
 P.T.A.B 口 O 型圈: $\phi 34 \times 3.1$
 X.Y 口 O 型圈: $\phi 25 \times 3.1$

Valve's set screw

6 of M12 \times 60 GB/T70.1-12.9 Tightening torque Ma=130Nm.
 O-ring for P.T.A.B Port: $\phi 34 \times 3.1$
 O-ring for X.Y Port: $\phi 25 \times 3.1$

