

DWMG10 型手动换向阀

DWMG10 SERIES MANUALLY OPERATED DIRECTIONAL VALVES



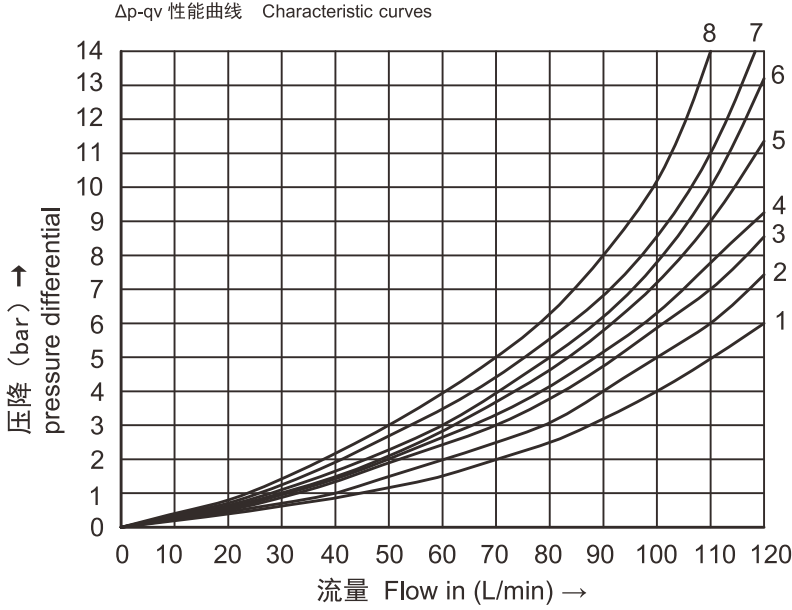
DWMG10 型手动换向阀是通过手柄的操作使阀芯做轴向移动，从而对油路进行切换的直动式换向阀，采用定位器或弹簧复位装置。

DWMG10 series manually operated directional valves are direct type directional valves ,It can control the start ,stop & direction of fluid flow. This series with detent or return spring are available.

▶ 技术参数 Technical data

通径 Size	10
流量 Flow rate(L/min)	100
工作压力 (Mpa)Operating pressure(Mpa)	A、B、P 油口 31.5T 油口 16/A、B、P oilports 31.5 T oil ports16
重量 (千克) Weight(KGS)	4.4
阀体 (材料) 表面处理 Valve body (Material) Surface treatment	铸件表面磷化处理 casting phosphating surface
油液清洁度 /Oilcleanliness	NAS1638 9 级和 ISO4406 20/18/15 级 NAS1638 class 9 and ISO4406 class 20/18/15

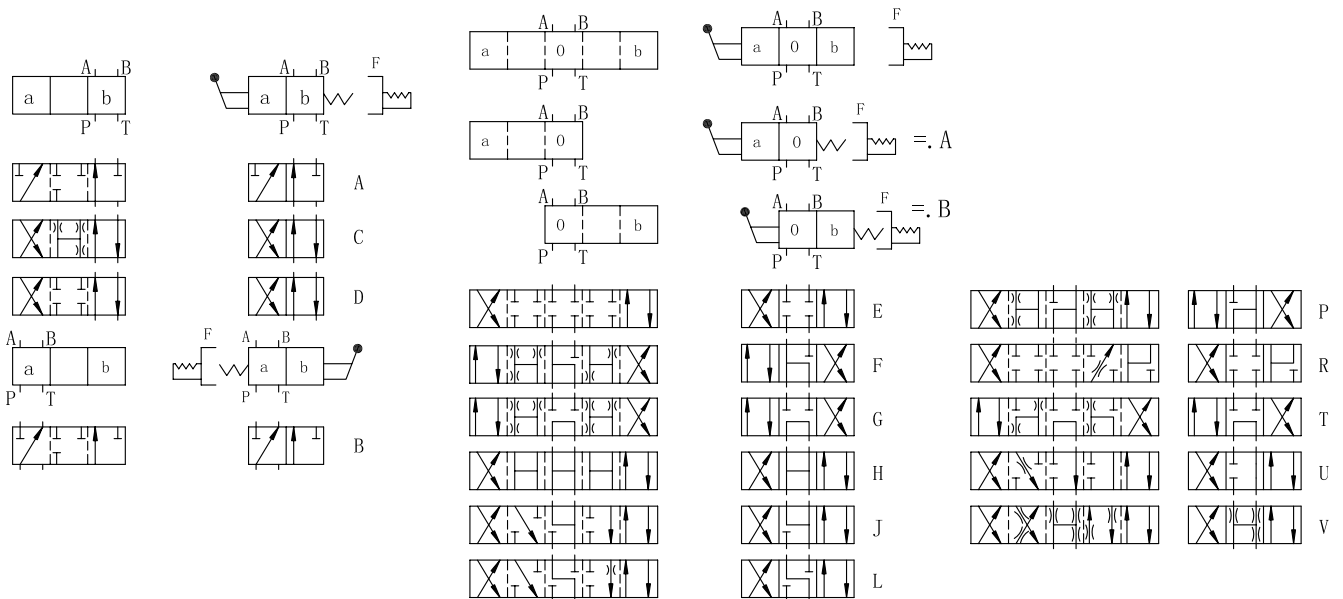
特性曲线 Characteristic curves DWMG10



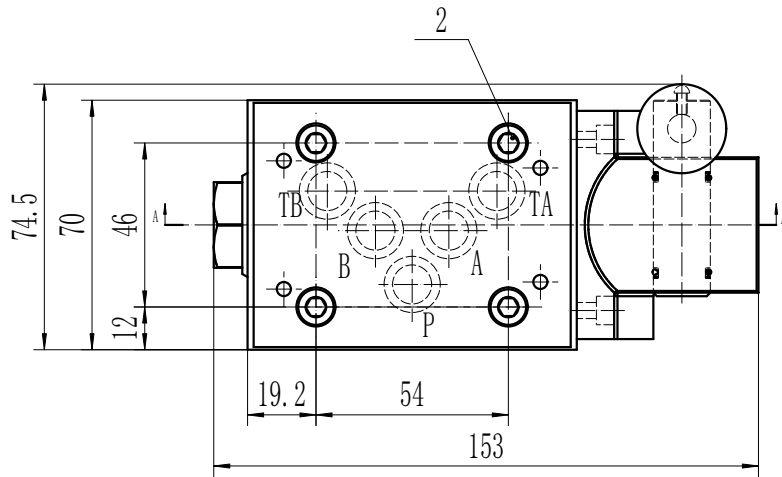
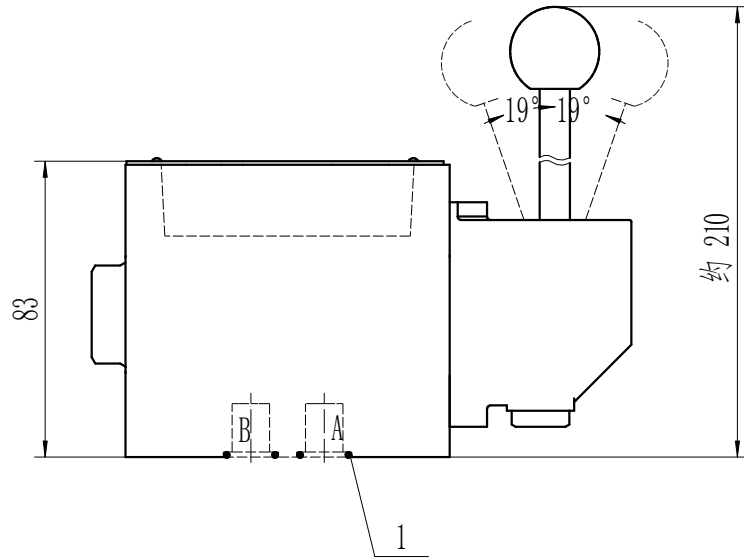
机能符号 Spool symbol	切换位置 Spool position			
	P-A	P-B	A-T	B-T
A	4	3	-	-
B	3	4	-	-
C	3	3	4	4
D	3	3	5	5
E	2	2	4	4
F	1	2	3	4
G,T	4	4	7	7
H	1	1	5	5
J	2	2	3	3
L	3	3	2	4
P	3	1	5	5
R	3	4	3	-
U	3	3	5	2
V	2	2	3	3

- 8 机能符号"R" 处于控制位置b (B→A)
Symbol "R" in spool position "b" (A → B)
- 8 机能符号"G" 和"T"处于中位 (P→T)
Symbols "G" and "T" in central position (P → T)

DWMG10 机能符号 DWMG10 Spool symbols



DWMG10 外型尺寸 DWMG10 Overall Dimensions



1、阀固定螺钉
4个M6X50 GB/T70.1-12.9 级
拧紧扭矩 Ma=15.5Nm
2、O型圈: φ 16X1.9

1.Valve's set screw
4 of M6 × 50GB/T70.1-12.9
Tightening torque Ma=15.5Nm.
2.O-ring φ 16 × 1.9

4	DWMG	10	E	10	/	F	*	*
---	------	----	---	----	---	---	---	---

3=三油口
4=四油口
3=3 Oil ports
4=4 Oil ports

型号
Model

通径 :10
Size :10

机能符号
Spool type

附加说明
For further details

无 = 丁晴橡胶
V= 氟橡胶

No code =NBR seals
V=FPM seals

无=弹簧复位 F=带定位器
No code= Spring return
F=With detent

系列号
10通径=10
Series number
Size10=10