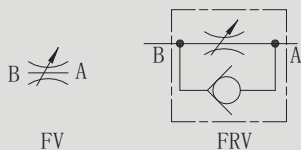


## FV/FRV型节流阀/单向节流阀

## FV/FRV SERIES THROTTLE VALVES/THROTTLE CHECK VALVES

## 符号 SYMBOL



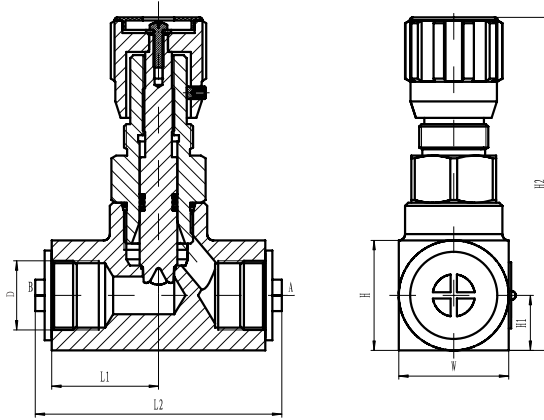
FV/FRV 型节流阀 / 单向节流阀是一种比较简单而又精确地调节执行元件速度的流量控制阀，完全关闭时，它又是截止阀。

FV/FRV series throttle check valves are used to regulate the speed of actuators simply and precisely.

▶ 技术参数 Technical data

通径 Size		6	8	10	12	16	20
工作压力 (Mpa) Operating pressure(Mpa)		31.5	31.5	31.5	31.5	31.5	31.5
流量 (L/min) Flow rate(L/min)		16	24	35	45	60	100
英制 Inch		G1/8"	G1/4"	G3/8"	G1/2"	G3/4"	G1"
公制 Metric		M10 x 1	M14 x 1.5	M18 x 1.5	M22 x 1.5	M27 x 2	M33 x 2
单向阀开启压力 Cracking pressure of check valve		0.05MPa					
管式面板安装 Pipeline type panel connection		M12 x 1.5	M18 x 1.5	M18 x 1.5	M22 x 1.5	M22 x 1.5	M33 x 1.5
重量 (千克) Weight(KGS)	FV	0.4	0.3	0.5	0.8	1.1	2.3
	FRV	0.4	0.3	0.5	0.8	1.1	2.3
阀体 (材料) 表面处理 Valve body (Material) Surface treatment	FV/FRV	钢件 表面镀锌 STEEL BODY SURFACE zinc plating					
油液清洁度 /Oil cleanliness		NAS1638 9 级和 ISO4406 20/18/15 级 NAS1638 class 9 and ISO4406 class 20/18/15					

FV/FRV 外形尺寸 FV/FRV Unit Dimensions



通径 Size	D		W x H	H1	H2	L1		L2	
						FV	FRV	FV	FRV
6	G1/8"	M10X1	28X28	14	82	24	36	48	58
8	G1/4"	M14X1.5	28X28	14	82	27	39	54	64
10	G3/8"	M18X1.5	28X28	14	82	27	43	54	70
12	G1/2"	M22X1.5	38X38	19	108	34	52	68	83
16	G3/4"	M27X2	38X38	19	108	39	55.5	78	89
20	G1"	M33X2	48X48	24	138	46	72	92	117

FV=节流截止阀  
FRV=单向节流截止阀  
FV=Throttle shut-off valve  
FRV=Throttle check shut-off valve

通径:6,10,12,16,20  
Size:6,10,12,16,20

无 = 管式安装  
No code=Threaded connection



附加说明  
For further details

无 = 英制; 2 = 公制  
No code = Inch;  
2 = Metric

无 = 丁晴橡胶  
V = 氟橡胶  
No code = NBR seals  
V = FPM seals

系列号  
Series number

1 = 钢  
1 = Steel