

HSV10-44

二位四通电磁阀 滑阀型

Four-Way, Two-Position, Spool-Type Cartridge Solenoid Valve

OPERATION

工作原理

When de-energized, the valve allows flow from ③ to ④ and from ② to ①.
 When energized, the cartridge's spool shifts to allow flow from ③ to ①, ② and ④ closed.
 失电时, ③流向④, ②流向①;
 得电时, ③流向①, ②④闭合。

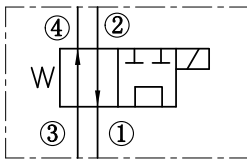
FEATURES

特性

- Continuous-duty solenoid
- Optional coil voltages and terminations
- Manual override option
- Efficient wet-armature construction
- Industry common cavity
- Compact size
- 可持续工作的电磁铁
- 可选线圈电压和终端
- 可带手动卸荷
- 高效能的电磁铁结构
- 工业通用插孔
- 结构紧凑

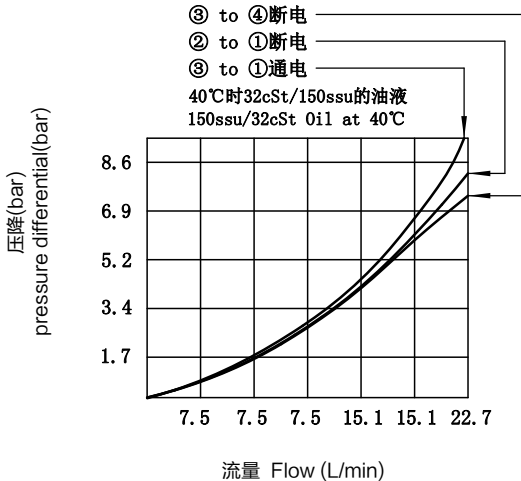
SYMBOL

机能符号



PRESSURE DROP VS. FLOW

性能图



SPECIFICATIONS

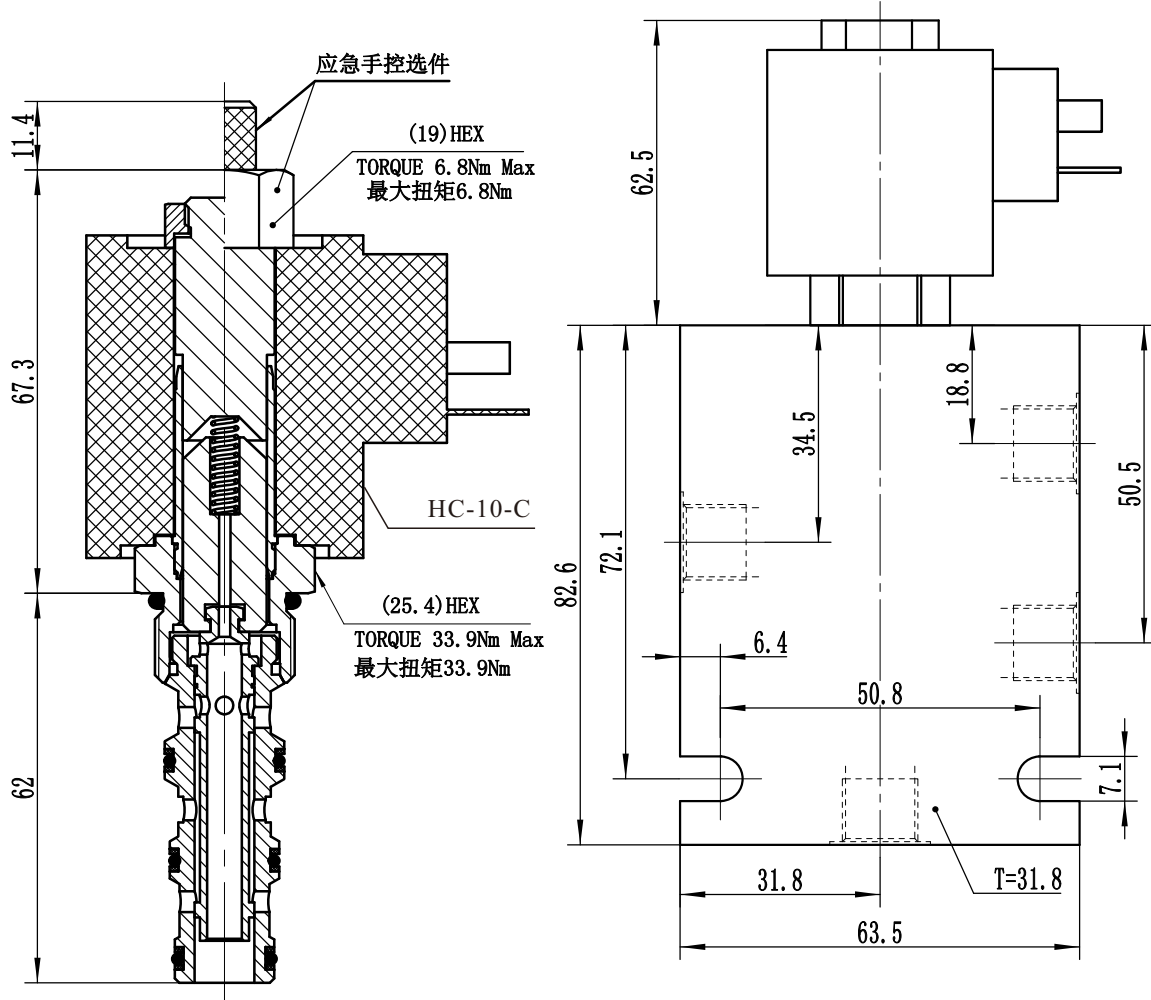
技术参数

工作压力 Working Pressure : 207bar
流量 Flow Rate: 参见性能图
 See Pressure Drop VS. Flow graph
内泄漏 Internal Leakage: <82ML/min. Max at 207bar
温度范围 Temperature Range: -30°C+120°C
线圈电压范围 Coil Rating:
 90% to 110% of Rated Voltage
过滤 Filtration:
 Critical Application-ISO 18/16/13
 Non-Critical Application-ISO 19/17/14
介质 Fluids: 矿物油 Mineral-based fluids
插孔 Cavity: 10-4

INSTALLATION DIMENSIONS 安装尺寸

Coil Must Be Installed With Lettering Up
安装线圈时字母必须朝上

Unit=Millimeters



HSV10-44	*	*	*	*	*
----------	---	---	---	---	---

M=Manual Override 手动卸荷
Omit for standard 省略为常规

BODY PORTING 阀块油口

6T=SAE6

8T=SAE8

2B=G1/4

3B=G3/8

Other Porting is Available

其它螺纹油口也是可以选择的

(Omit of Cartridge only

省略为不带阀块)

密封材料

N=Nitrile Rubber Buna 丁晴橡胶(标准型)

COIL CONNECTION 线圈连接

D=Double Lead 双线

H=Hirschmann 三插

ER=Deutsch Connector

(Water proof Coil)

德意志插座 (防水线圈)

VOLTAGE 电压

1=12V Volt DC

2=24V Volt DC

3=110V Volt AC

4=220V Volt AC