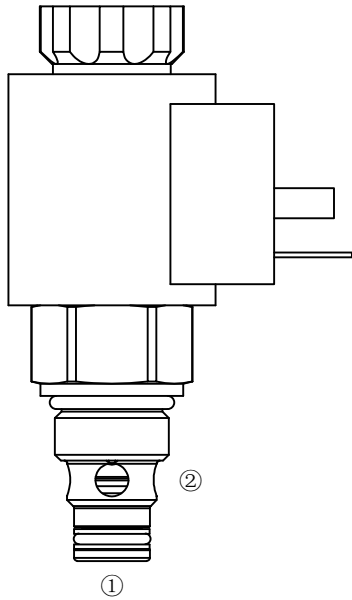


HSV6-08-2NCP

二位二通电磁阀 常闭型

Two-Way, Two-Position, Normally-Closed
Poppt-type Cartridge Valve



OPERATION

工作原理

When de-energized, the valve acts as a check valve, allowing flow from ① to ②, while blocking flow from ② to ①.
When energized, the poppet lifts to open the ② to ① flow path.

当电磁铁不通电时，①到②相当于单向阀，②到①关闭；
当电磁铁通电时，②到①开启。

手控应急

Operation of Manual Override Option:

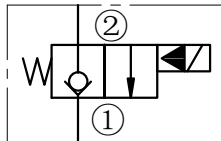
逆时针旋转旋钮两圈，2到1开启；顺时针旋转两圈，返回到常态。

To override, twist counterclockwise 2 turns .

To return to normal operation, twist clockwise 2 turns.

SYMBOL

机能符号



FEATURES

特性

Continuous-duty solenoid
Efficient wet-armature construction
Hardened seat for long life
Industry common cavity
Compact size

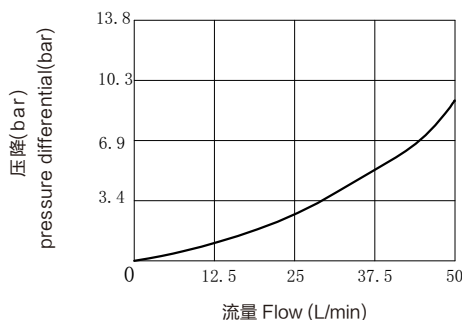
可持续工作的电磁铁
高效能电磁铁结构
长寿命的阀
工业通用插孔
结构紧凑

PRESSURE DROP VS.FLOW

性能图

② to ① — Energized ; 通电

38°C时150 ssu/32 cSt的油液 150 ssu/32 cSt Oil at 38°C



SPECIFICATIONS

技术参数

最大工作压力 (Max. Operating Pressure): 350Bar

流量 (Flow): See PRESSURE DROP VS.FLOW graph.

内泄漏 (Internal Leakage):

< 5drops/min our ideal leakage < 0.25ml/min

介质温度范围 (Fluid Temperature range): -20 °C to +100 °C

线圈电压范围 Coil Rating:85% to 110% Of Rated Voltage

过滤 Filtration:

Critical Application – ISO 18/16/13

Non-Critical Application – ISO 19/17/14

介质 (Fluids): 矿物油，其它流体请咨询工厂

Mineral-based fluids

For other fluid compatibility, consult factory.

插孔 (Cavity): 08-2

阀块材料 (Body Material):

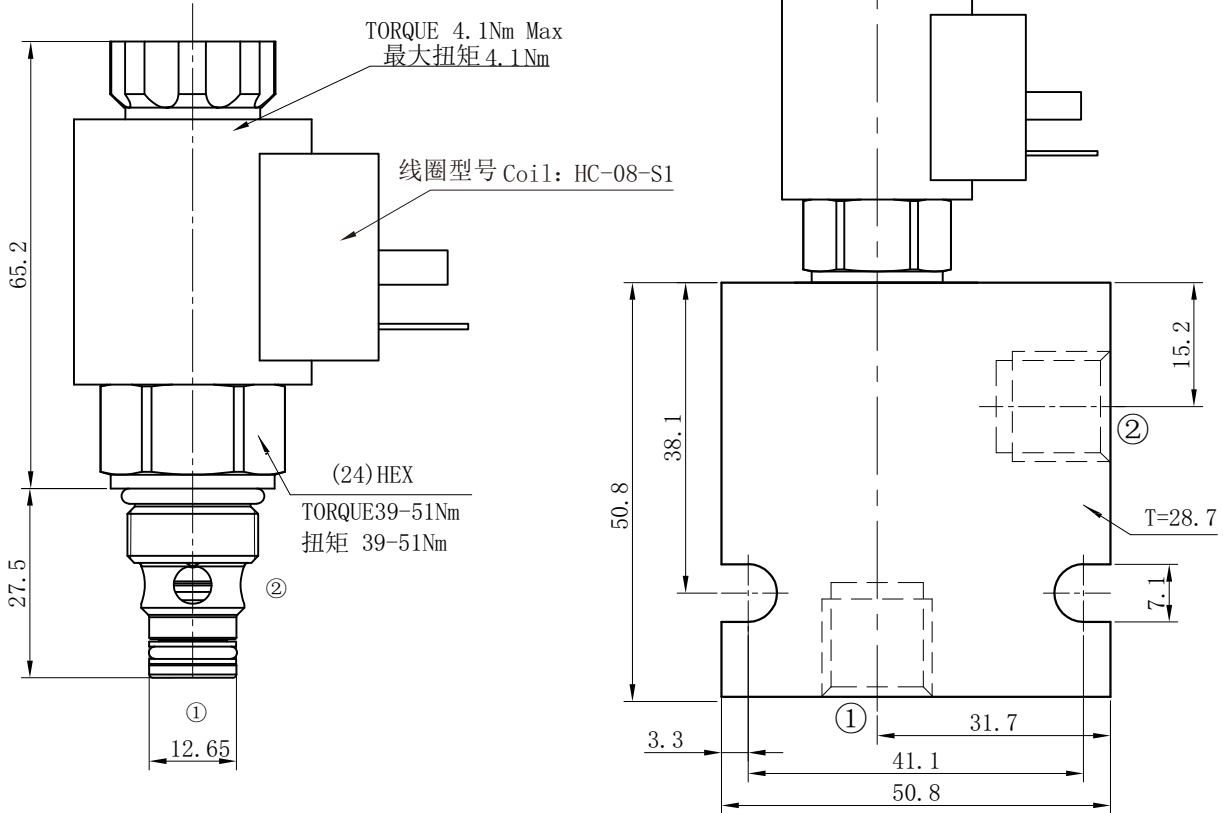
钢材允许使用最大压力 350bar

Steel rated to 350bar

INSTALLATION DIMENSIONS 安装尺寸

Coil Must Be Installed With Lettering Up
安装线圈时字母必须朝上

Unit=Millimeters



HSV6-08 - 2 - NC - P - * - * - *

电磁阀 Solenoid Valve

Flow Path 流道类型
2=二通

模式
NC=常闭 Normally Closed

Type 类型
P=锥阀型 Poppet

VOLTAGE 电压
1=12V Volt DC
2=24V Volt DC
3=110V Volt AC
4=220V Volt AC

BODY PORTING 阀块油口
6T=SAE6
3G=G 3/8
Other Porting is Available
其它螺纹油口也是可以选择的
(Omit for Cartridge only
省略为不带阀块)

COIL CONNECTION 线圈连接
D=Double Lead 双线
H=Hirschmann 三插
ER=Deutsch Connector
(Water proof Coil)
德意志插座 (防水线圈)