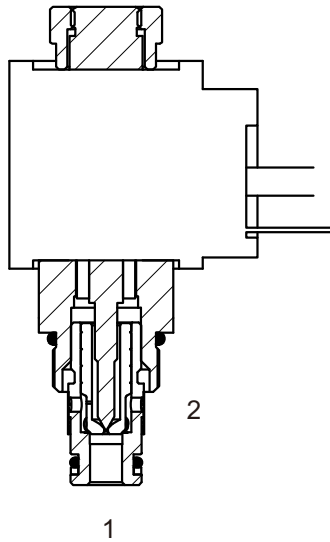


HSV08-20C

二位二通电磁阀 常闭型

Normally-Closed, Two-Way, Two-Position, Pilot-Operated Cartridge Solenoid Valve



OPERATION

工作原理

When de-energized, the valve acts as a check valve, allowing flow from ① to ②, while blocking flow from ② to ①. When energized, the poppet lifts to open the ② to ① flow path.

当电磁铁不通电时，①到②相当于单向阀，②到①关闭；
当电磁铁通电时，②到①开启。

手控应急 Operation of Manual Override Option:
To override, twist counter clockwise 2 turns.
To return to normal operation, twist clockwise 2 turns.
逆时针旋转按钮两圈，2到1开启；顺时针旋转两圈，返回到常态。

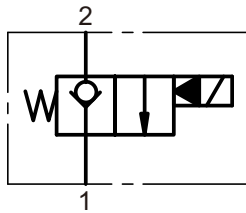
FEATURES

特性

- Continuous-duty solenoid. · 可持续工作的电磁铁。
- Efficient wet-armature construction. · 高效能电磁铁结构。
- Hardened seat for long life. · 长寿命的阀。
- Industry common cavity. · 工业通用插孔。
- Compact size. · 结构紧凑。

SYMBOL

机能符号

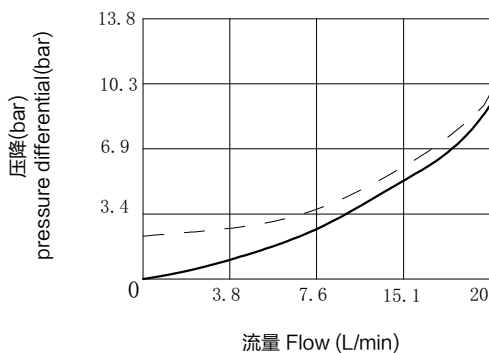


PRESSURE DROP VS.FLOW

性能图

- ② to ① ——— Energized; 通电
- ① to ② - - - De-Energized; 不通电

38°C时150 ssu/32 cSt的油液 150 ssu/32 cSt Oil at 38°C



SPECIFICATIONS

技术参数

最大工作压力 Max. Operating Pressure: 207 Bar
流量 Flow rate (L/min): 参见性能图 See Pressure Drop VS. Flow graph
内泄漏 Internal Leakage: < 3 drops/min
 Our ideal leakage < 0.15 ml/min

介质温度范围 Fluid temperature range: -20°C to +120°C
线圈电压范围 Coil Rating: 90% to 110% Of Rated Voltage
过滤 Filtration:

Critical Application - ISO 18/16/13
 Non-Critical Application - ISO 19/17/14
介质 Fluids: 矿物油。其它流体请咨询工厂。
 Mineral-based fluids.
 For other fluid compatibility, consult factory.

插孔 Cavity: 08-2

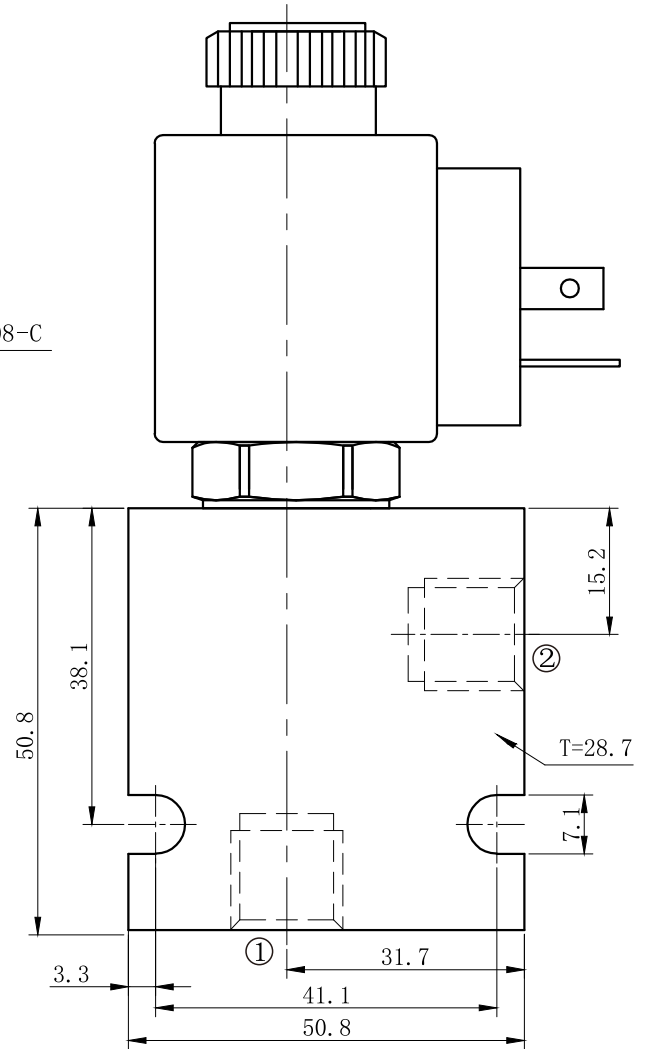
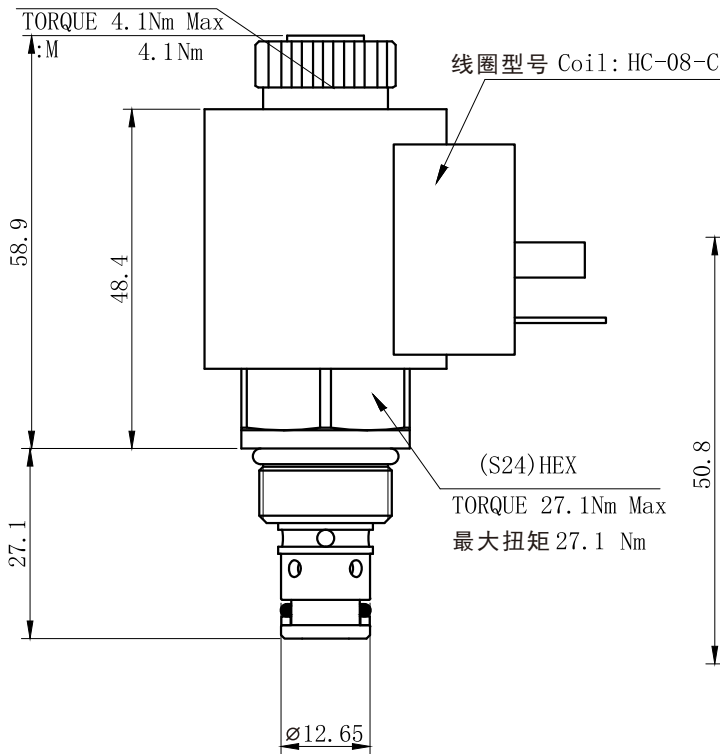
阀块材料 Body Material:

6061-T6铝，允许使用最大压力207bar
 钢材允许使用最大压力350bar
 6061-T6 aluminum alloy rated at 207bar
 Steel rated at 350bar

INSTALLATION DIMENSIONS 安装尺寸

Coil Must Be Installed With Lettering Up
安装线圈时字母必须朝上

Unit=Millimeters



HSV08-20C * * * * *	
电磁阀 Solenoid Valve	BODY PORTING 阀块油口
S=Screen 过滤网 Omit for standard 省略为常规	6T=SAE6 8T=SAE8 3G=G3/8 4G=G1/2
M=Manual Override 手动卸荷 Omit for standard 省略为常规	Other Porting is Available 其它螺纹油口也是可以选择的 (Omit for Cartridge only 省略为不带阀块)
油封 Seal Kits 无 = 丁晴橡胶 (标准型) Omit for Buna N (standard)	COIL CONNECTION 线圈连接
VOLTAGE 电压 1=12V Volt DC 2=24V Volt DC 3=110V Volt AC 4=220V Volt AC	D=Double Lead 双线 H=Hirschmann 三插 ER=Deutsch Connector (Water proof Coil) 德意志插座 (防水线圈)