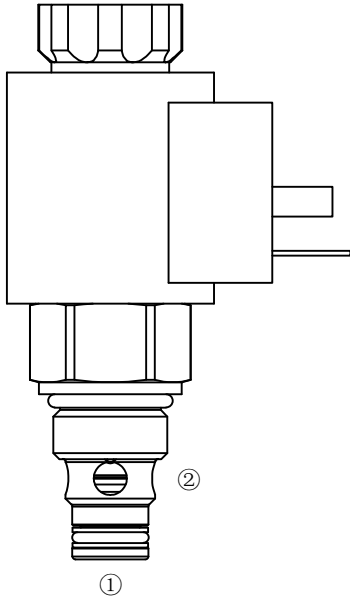


# HSV6-08-2NCSP

## 二位二通电磁阀 双向止回型

Normally-Closed, Two-Way, Two-Position, Bi-Directional Cartridge Solenoid Valve



### OPERATION

#### 工作原理

When de-energized, the valve blocks flow in both directions, When energized, the poppet shifts to allow flow in either direction.

断电时，此阀截止油液双向流动；

得电时，阀芯打开，允许油液双向流动；

#### 手控应急

Operation of Manual Override Option:

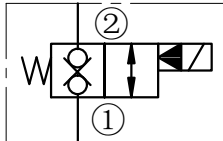
逆时针旋转旋钮两圈，2 到 1 开启；顺时针旋转两圈，返回到常态。

To override, twist counterclockwise 2 turns .

To return to normal operation, twist clockwise 2 turns.

### SYMBOL

#### 机能符号



### FEATURES

#### 特性

Continuous-duty solenoid  
Efficient wet-armature construction  
Hardened seat for long life  
Industry common cavity  
Compact size

可持续工作的电磁铁  
高效能电磁铁结构  
长寿命的阀  
工业通用插孔  
结构紧凑

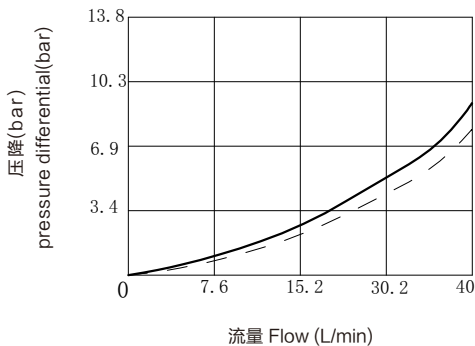
### PRESSURE DROP VS.FLOW

#### 性能图

② to ① ——— Energized ; 通电

① to ② - - - Energized ; 通电

38°C时150 ssu/32 cSt的油液 150 ssu/32 cSt Oil at 38°C



### SPECIFICATIONS

#### 技术参数

**最大工作压力 (Max. Operating Pressure):** 350Bar

**流量 (Flow):** See PRESSURE DROP VS.FLOW graph.

**内泄漏 (Internal Leakage):**

< 5drops/min our ideal leakage < 0.25ml/min

**介质温度范围 (Fluid Temperature range):** -20 °C to +100 °C

**线圈电压范围 Coil Rating:**85% to 110% Of Rated Voltage

**过滤 Filtration:**

Critical Application – ISO 18/16/13

Non-Critical Application – ISO 19/17/14

**介质 (Fluids):** 矿物油，其它流体请咨询工厂

Mineral-based fluids

For other fluid compatibility, consult factory.

**插孔 (Cavity):** 08-2

**阀块材料 (Body Material):**

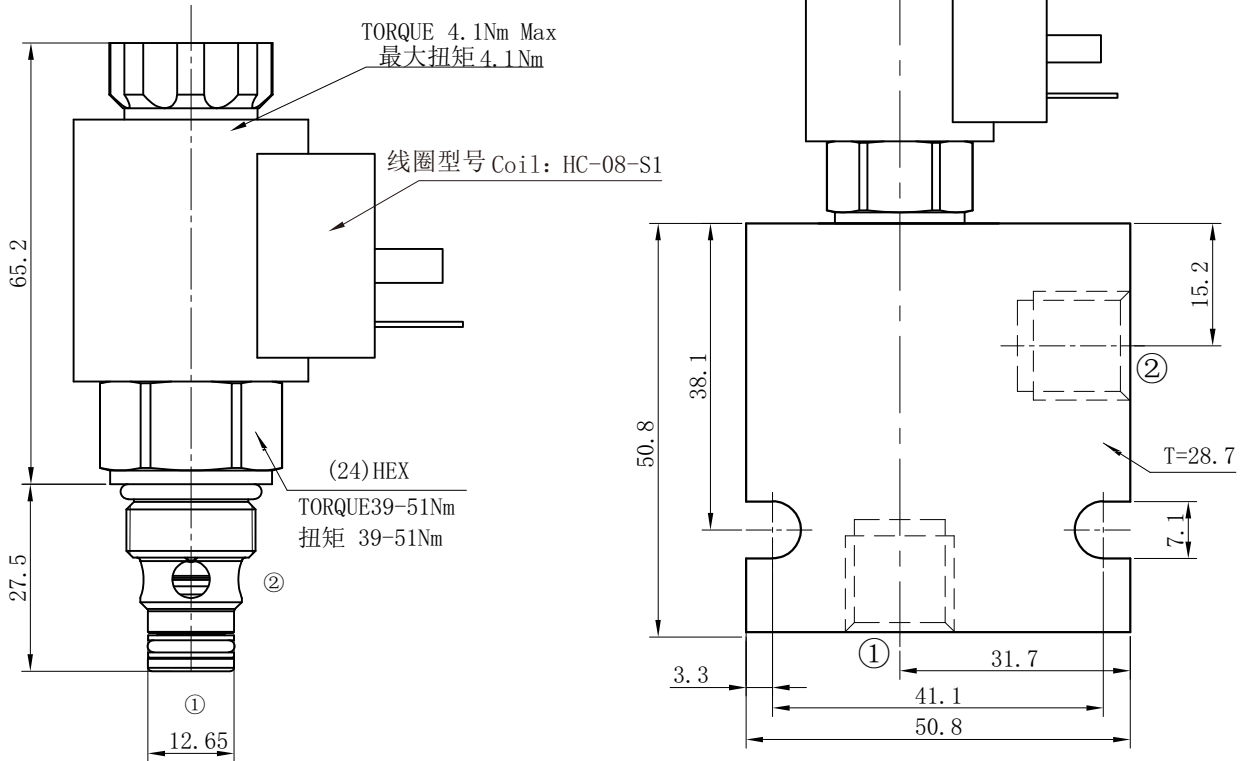
钢材允许使用最大压力 350bar

Steel rated to 350bar

# INSTALLATION DIMENSIONS 安装尺寸

Coil Must Be Installed With Lettering Up  
安装线圈时字母必须朝上

Unit=Millimeters



HSV6-08 - 2 - NC - SP - \* - \* - \*

电磁阀 Solenoid Valve

Flow Path 流道类型  
2=二通

模式  
NC=常闭 Normally Closed

Type 类型  
SP=锥阀型 Poppet

VOLTAGE 电压  
1=12V Volt DC  
2=24V Volt DC  
3=110V Volt AC  
4=220V Volt AC

BODY PORTING 阀块油口  
6T=SAE6  
3G=G 3/8  
Other Porting is Available  
其它螺纹油口也是可以选择的  
(Omit for Cartridge only  
省略为不带阀块)

COIL CONNECTION 线圈连接  
D=Double Lead 双线  
H=Hirschmann 三插  
ER=Deutsch Connector  
(Water proof Coil)  
德意志插座 (防水线圈)