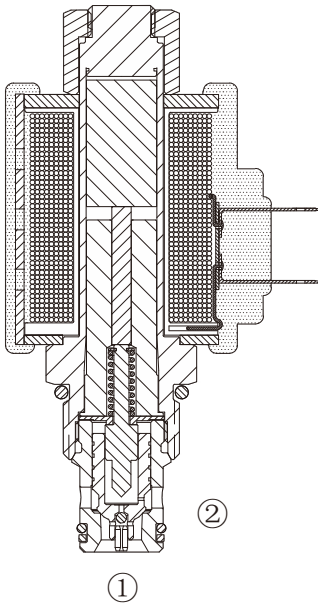


# HSV10-23

## 二位二通电磁阀 常开 锥阀型

Normally-Open, Two-Way, Two-Position,  
Poppet Type  
Cartridge Solenoid Valve With Reverse  
Flow De-energized



### OPERATION 工作原理

When de-energized, the poppet lifts to open flow both ② and ①;  
When energized, the cartridge acts as a check valve, allowing flow  
from ① to ② after overcoming the solenoid force. (requires 3.4 to  
10.3 bar) .while blocking flow from ② to ①.

当电磁铁不通电时，从②口到①口双向通；  
当电磁铁通电时，②口到①口不通，当①口压力超过电磁铁力，  
①口到②口方向打开。

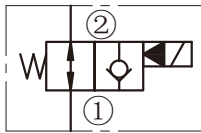
手控应急 Operation of Manual Override Option: To override,  
push button in to activate. To return to normal valve function,  
release button.

推进按钮，②到①关闭；释放按钮，返回到常态。

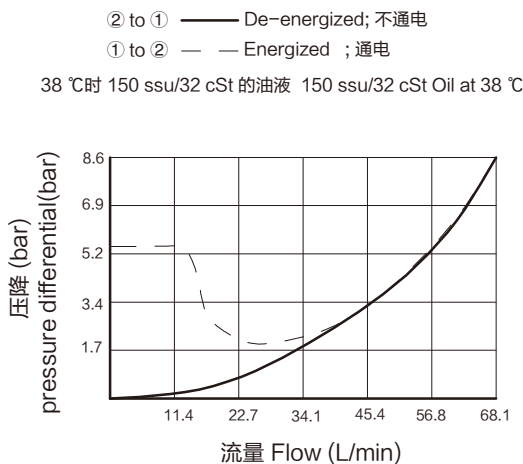
### FEATURES 特性

- Continuous-duty solenoid. · 可持续工作的电磁铁。
- Efficient wet-armature construction. · 高效能电磁铁结构。
- Hardened seat for long life. · 长寿命的阀。
- Industry common cavity. · 工业通用插孔。
- Compact size · 结构紧凑。

### SYMBOL 机能符号



### PRESSURE DROP VS.FLOW 性能图



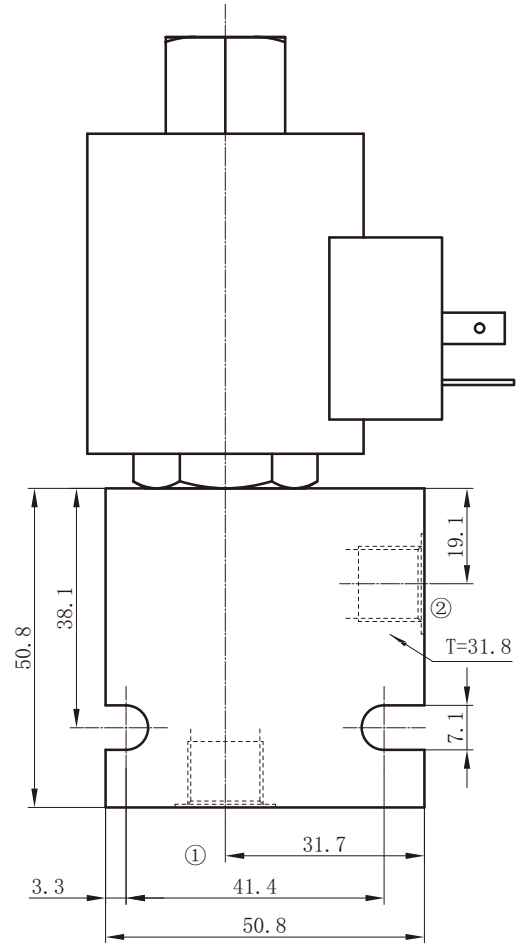
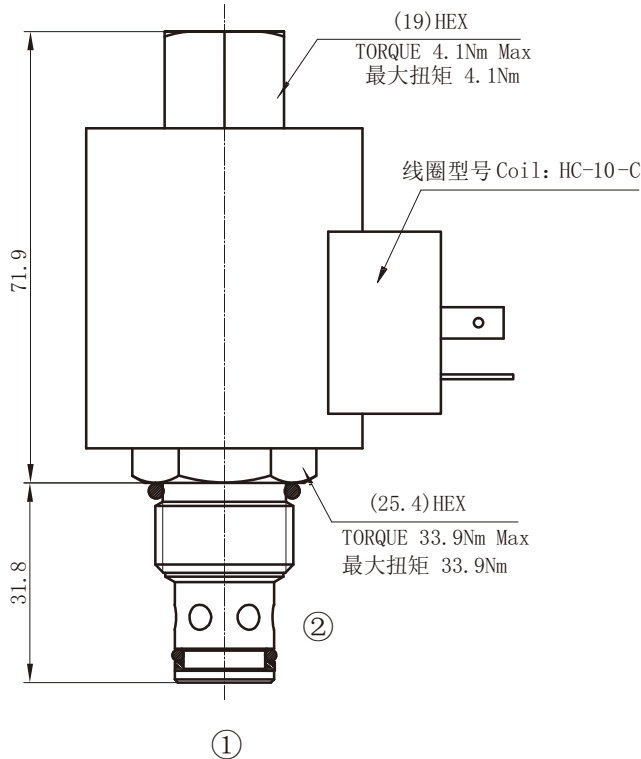
### SPECIFICATIONS 技术参数

最大工作压力 Max. Operating Pressure : 207 Bar  
**流量 Flow rate (L/min):** 参见性能图 See Pressure Drop VS. Flow graph  
**内泄漏 Internal Leakage:** < 3 drops/min. Max at 207 bar  
**介质温度范围 Fluid temperature range:** -30 °C to +120 °C  
**线圈电压范围 Coil Rating:** 90% to 110% of Rated Voltage  
**过滤 Filtration:**  
 Critical Application - ISO 18/16/13  
 Non-Critical Application - ISO 19/17/14  
**介质 Fluids:** 矿物油。其它流体请咨询工厂。  
 Mineral-based fluids.  
 For other fluid compatibility, consult factory.  
**插孔 Cavity:** 10-2  
**阀块材料 Body Material:**  
 6061-T6铝，允许使用最大压力207bar  
 钢材允许使用最大压力350bar  
 Anodized 6061-T6 aluminum alloy rated at 207 bar  
 Steel rated at 350 bar

# INSTALLATION DIMENSIONS 安装尺寸

Coil Must Be Installed With Lettering Up  
安装线圈时字母必须朝上

Unit=Millimeters



HSV10-23 - * - * - * - * - *	
电磁阀 Solenoid Valve	BODY PORTING 阀块油口 6T=SAE6 8T=SAE8 3G=G3/8 4G=G1/2 Other Porting is Available 其它螺纹油口也是可以选择的 ( Omit for Cartridge only 省略为不带阀块 )
M=Manual Override 手动卸荷 Omit for standard 省略为常规	COIL CONNECTION 线圈连接 D=Double Lead 双线 H=Hirschmann 三插 ER=Deutsch Connector (Water proof Coil) 德意志插座 (防水线圈)
油封 Seal Kits 无 = 丁晴橡胶 (标准型) Omit for Buna N (standard)	
VOLTAGE 电压 1=12V Volt DC 2=24V Volt DC 3=110V Volt AC 4=220V Volt AC	