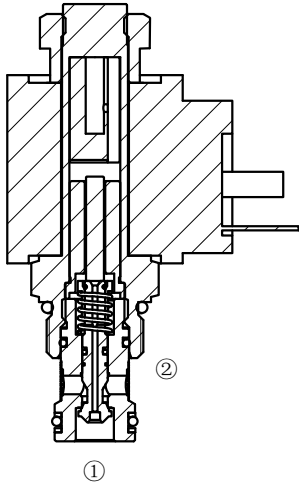


HSV08-28B

二位二通电磁阀 双向止回型

Normally-Closed, Two-Way, Two-Position, Bi-Directional Cartridge Solenoid Valve



OPERATION 工作原理

When de-energized, the valve blocks flow in both directions, When energized, the poppet shifts to allow flow in either direction.

断电时，此阀截止油液双向流动；

得电时，阀芯打开，允许油液双向流动；

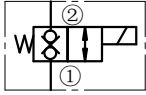
手控应急 Operation of Manual Override Option:

To override, push button in to activate .

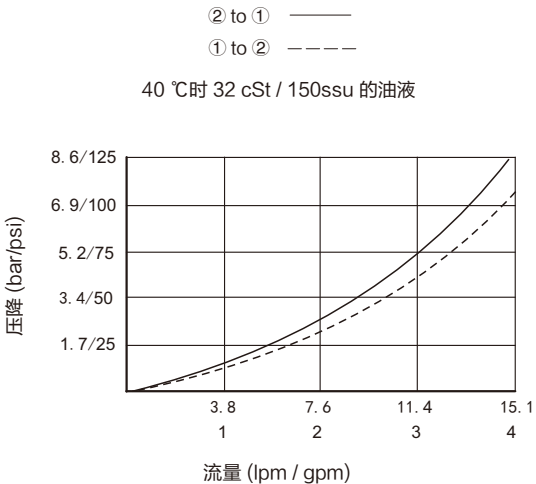
To return to normal valve function, release button.

推进按钮，两油口互通；释放按钮，返回到常态。

SYMBOL 机能符号



PRESSURE DROP VS.FLOW 性能图



FEATURES 特性

- Continuous-duty solenoid. · 可持续工作的电磁铁。
- Efficient wet-armature construction. · 高效能电磁铁结构。
- Hardened seat for long life. · 长寿命的阀。
- Industry common cavity. · 工业通用插孔。
- Compact size · 结构紧凑。

SPECIFICATIONS 技术参数

最大工作压力 Max. Operating Pressure : 250 Bar

流量Flow rate(L/min): 参见性能图See Pressure Drop VS.Flow graph

内泄漏 Internal Leakage: < 3drops/min

Our ideal leakage < 0.15ml/min

介质温度范围 Fluid temperature range: -30°C to +120°C

线圈电压范围 Coil Rating: 90% to 110% Of Rated Voltage

过滤Filtration:

Critical Application - ISO 18/16/13

Non-Critical Application - ISO 19/17/14

介质 Fluids: 矿物油。其它流体请咨询工厂。

Mineral-based fluids.

For other fluid compatibility, consult factory.

插孔 Cavity: 08-2B

阀块材料Body Material:

6061-T6铝，允许使用最大压力207bar

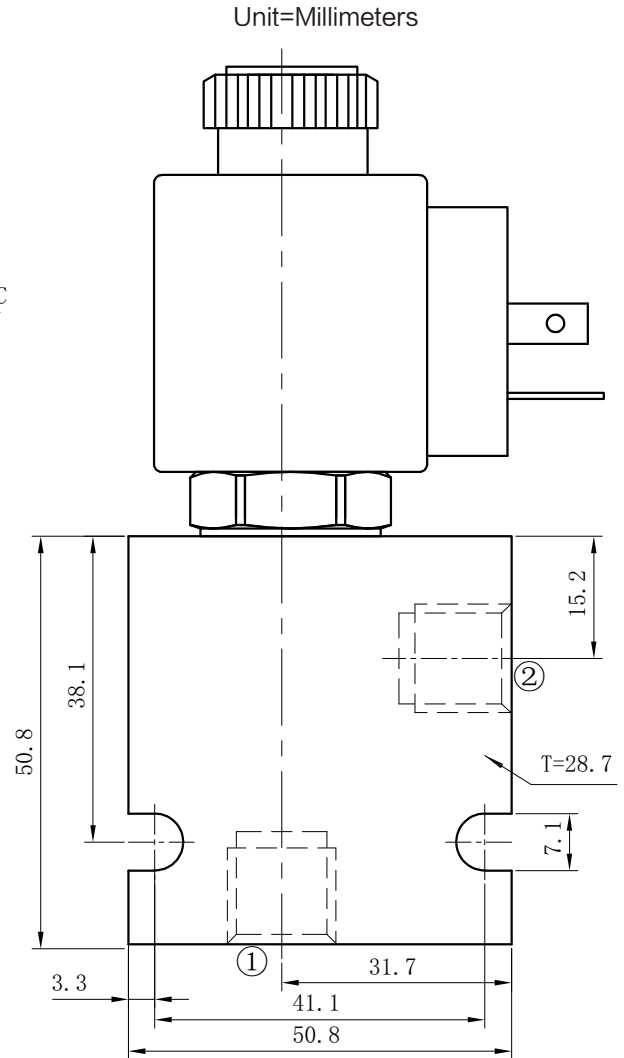
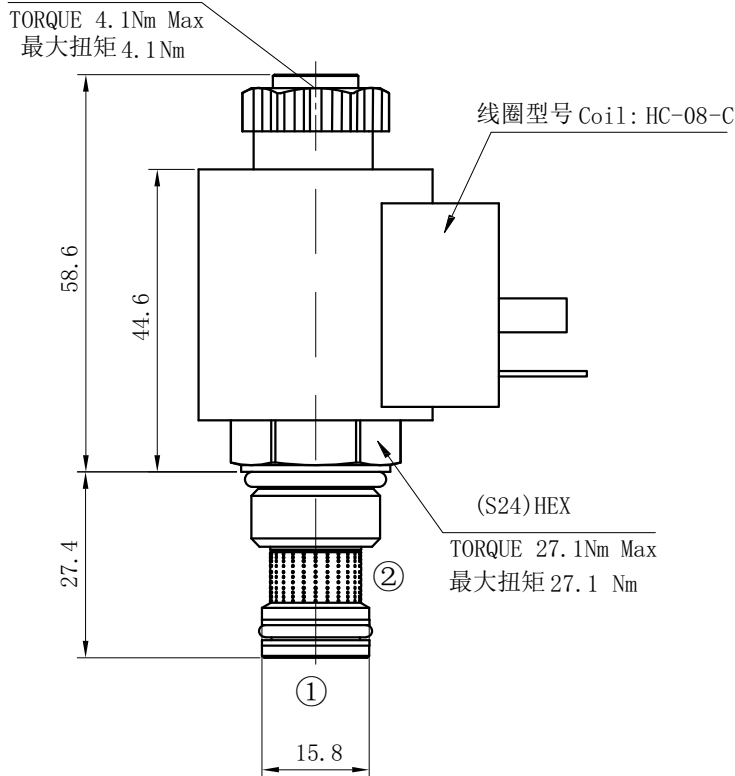
钢材允许使用最大压力350bar

Anodized 6061-T6 aluminum alloy rated at 207bar

Steel rated at 350bar

INSTALLATION DIMENSIONS 安装尺寸

Coil Must Be Installed With Lettering Up
安装线圈时字母必须朝上



HSV08-28B- * - * - * - * - * - *	
电磁阀 Solenoid Valve	BODY PORTING 阀块油口
S=Screen 过滤网 Omit for standard 省略为常规	6T=SAE6 8T=SAE8 3G=G3/8 4G=G1/2 Other Porting is Available 其它螺纹油口也是可以选择的 (Omit for Cartridge only 省略为不带阀块)
M=Manual Override 手动卸荷 Omit for standard 省略为常规	COIL CONNECTION 线圈连接
油封 Seal Kits 无 = 丁晴橡胶 (标准型) Omit for Buna N (standard)	D=Double Lead 双线 H=Hirschmann 三插 ER=Deutsch Connector (Water proof Coil) 德意志插座 (防水线圈)
VOLTAGE 电压 1=12V Volt DC 2=24V Volt DC 3=110V Volt AC 4=220V Volt AC	