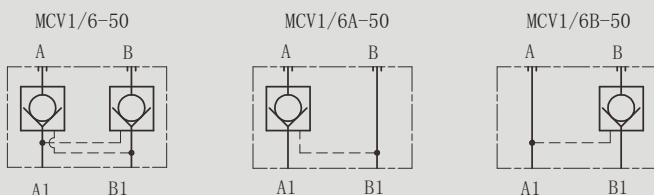


MCV 型叠加式液控单向阀

MCV SERIES MODULAR PILOT CONTROLLED CHECK VALVES

符号 SYMBOL



MCV 型叠加式液控单向阀，它可用于关闭一个或两个工作油口且无泄漏持续工作时间长，稳定性好。

MCV series are pilot operated style sandwich valves. These valves used to close one or two actuator ports.

▶ 技术参数 Technical data

型号 Model	MCV
最大流量 / Max flow rate (L/min)	40
工作压力 / Operating pressure (MPa)	31.5
先导比 Pilot ratio	3:1
阀体 (材料) 表面处理 Valve body (Material) Surface treatment	铸件表面磷化处理 casting phosphating surface
油液清洁度 Oil cleanliness	NAS 1638 级和 ISO4406 20/18/15 级 NAS class 1638 和 ISO4406 class 20/18/15

▶ 订单选型 Ordering Details



型号 Model

螺纹转接 Threaded connections 1=G3/8

口径: 6 Size: 6

无 = A, B 口都有单向阀

A = A 口带单向阀

B = B 口带单向阀

No code = A and B ports with check valves

A = A ports with check valve

B = B ports with check valve

附加说明 For further details

无 = 丁晴橡胶 V= 氟橡胶

No code =NBR seals

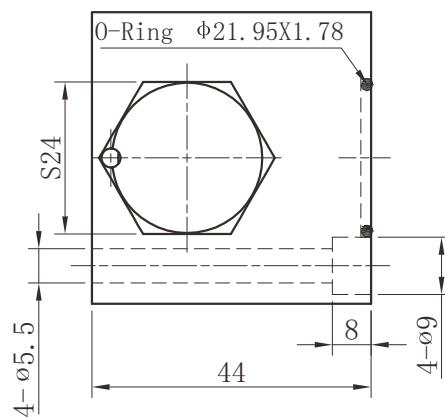
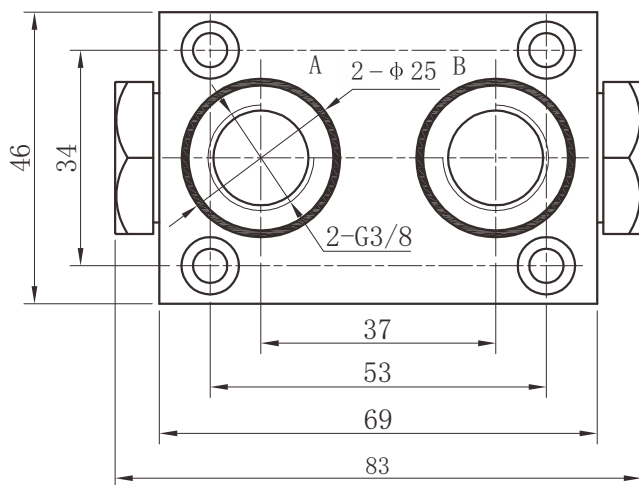
V=FPM seals

系列号 50 = 口径 6

Series number 50 = Size 6

外形尺寸和安装 External Dimensions and Fittings

MCV1/6-50



MCV1/6A-50(MCV1/6B-50)

