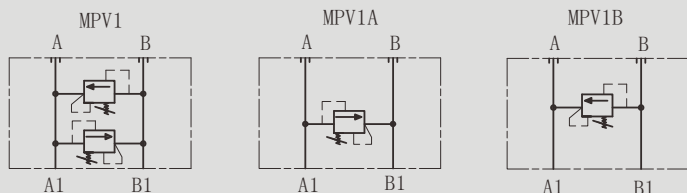


## MPV 型叠加式溢流阀

### MPV SERIES MODULAR PRESSURE RELIEF VALVES DIRECT ACTING

#### 符号 SYMBOL



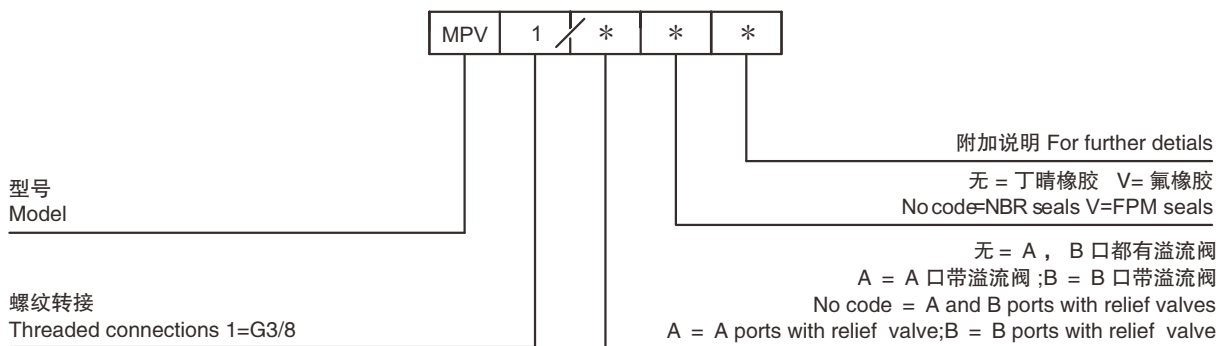
MPV 型叠加式溢流阀为直动式溢流阀，可为系统提供过载保护。

MPV series pressure relief valves are direct operated poppet type, it can supply overload protection for hydraulic systems.

#### 技术参数 Technical data

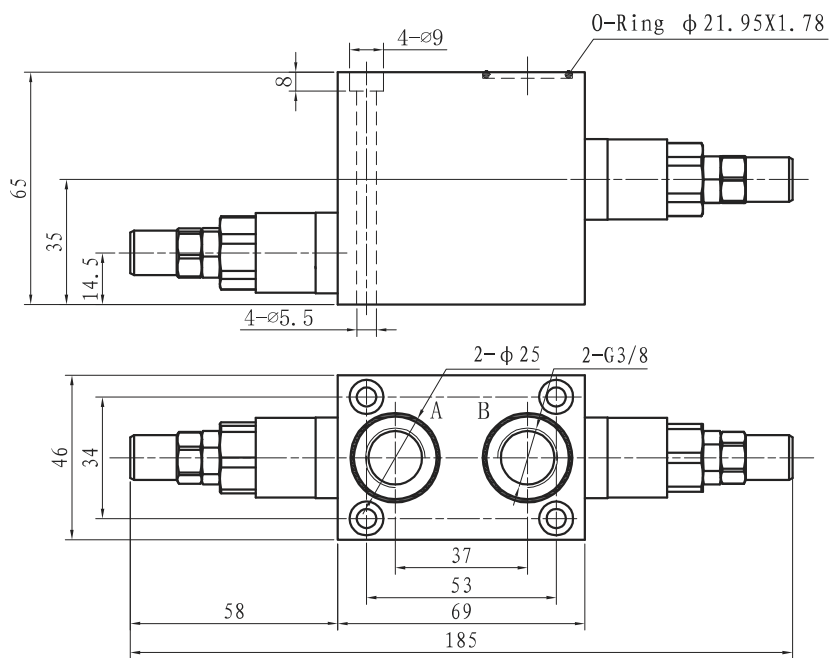
型号 Model	MPV
最大流量 / Max flow rate (L/min)	40
工作压力 / Operating pressure (MPa)	31.5
阀体 (材料) 表面处理 Valve body (Material) Surface treatment	铸件表面磷化处理 casting phosphating surface
油液清洁度 Oil cleanliness	NAS 1638 级和 ISO4406 20/18/15 级 NAS class 1638 和 ISO4406 class 20/18/15

#### 订单选型 Ordering Details



外形尺寸和安装 External Dimensions and Fittings

MPV1



MPV1A

MPV1B

