

HPS-08

顺序阀

Spool-Type, Sequence Valve
With Internal Pilot and Drain

OPERATION

工作原理

In its steady state, the valve blocks flow at ①, while allowing flow to pass from ② to ③. On attainment of a pre-determined pressure at ①, the cartridge shifts to open ① to ②.

在稳定状态, ①口与②口不通, ②到③通; 在①口的压力达到预设定压力时, ①到②口打开。

FEATURES

特性

- Adjustments cannot be backed out of the valve · 调节杆不会被旋出
- Industry common cavity · 工业通用插孔
- Compact size · 紧凑结构

SPECIFICATIONS

技术参数

最大工作压力(Max. Operating Pressure): 207Bar

流量(Flow): See PRESSURE DROP VS.FLOW graph.

内泄漏(Internal Leakage): 82 ml/min max. to 85% of nominal setting

弹簧调压范围(Standard Spring Ranges): 3.5 to 20.7 bar

6.9 to 41.4 bar

10.3 to 89.7 bar

31 to 165.5 bar

过滤(Filtration): Critical Application – ISO 18/16/13

Non-Critical Application – ISO 19/17/14

介质温度(Temperature): -30 °C to +120°C

介质(Fluids): Mineral-based fluids

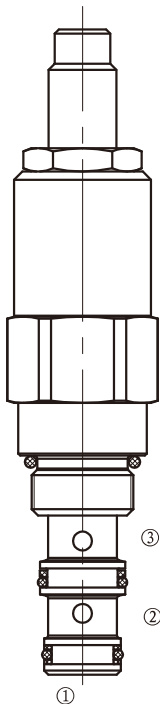
For other fluid compatibility, consult factory. 矿物油, 其它流体请咨询工厂。

插孔 Cavity: 08-3

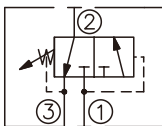
阀块材料(Body Material): 6061-T6 aluminum alloy rated at 207bar,

Steel rated at 350bar

6061-T6, 允许使用最大压力207Bar, 钢材允许最大压力350bar



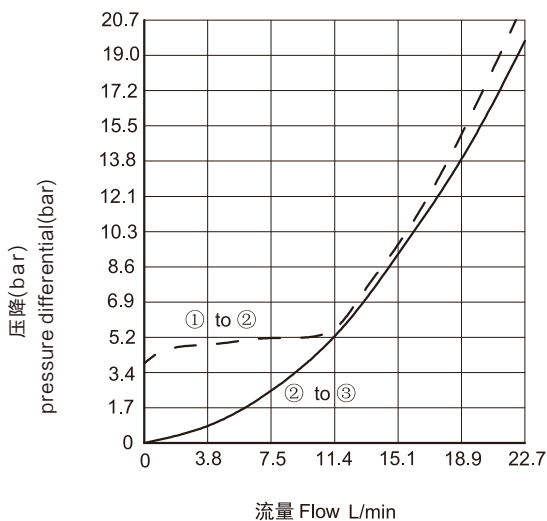
SYMBOL 机能符号



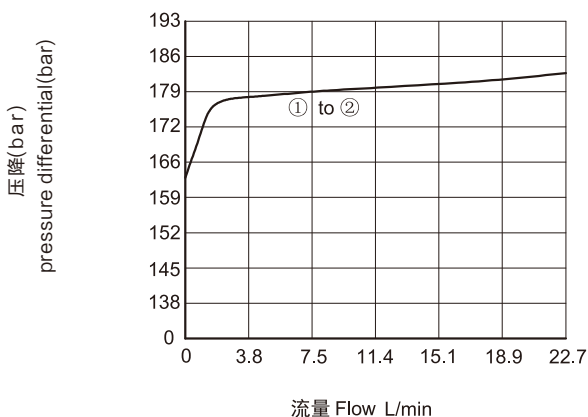
PRESSURE DROP VS.FLOW 性能图

40°C时150 ssu/32 cSt的油液
150 ssu/32 cSt Oil at 40°C

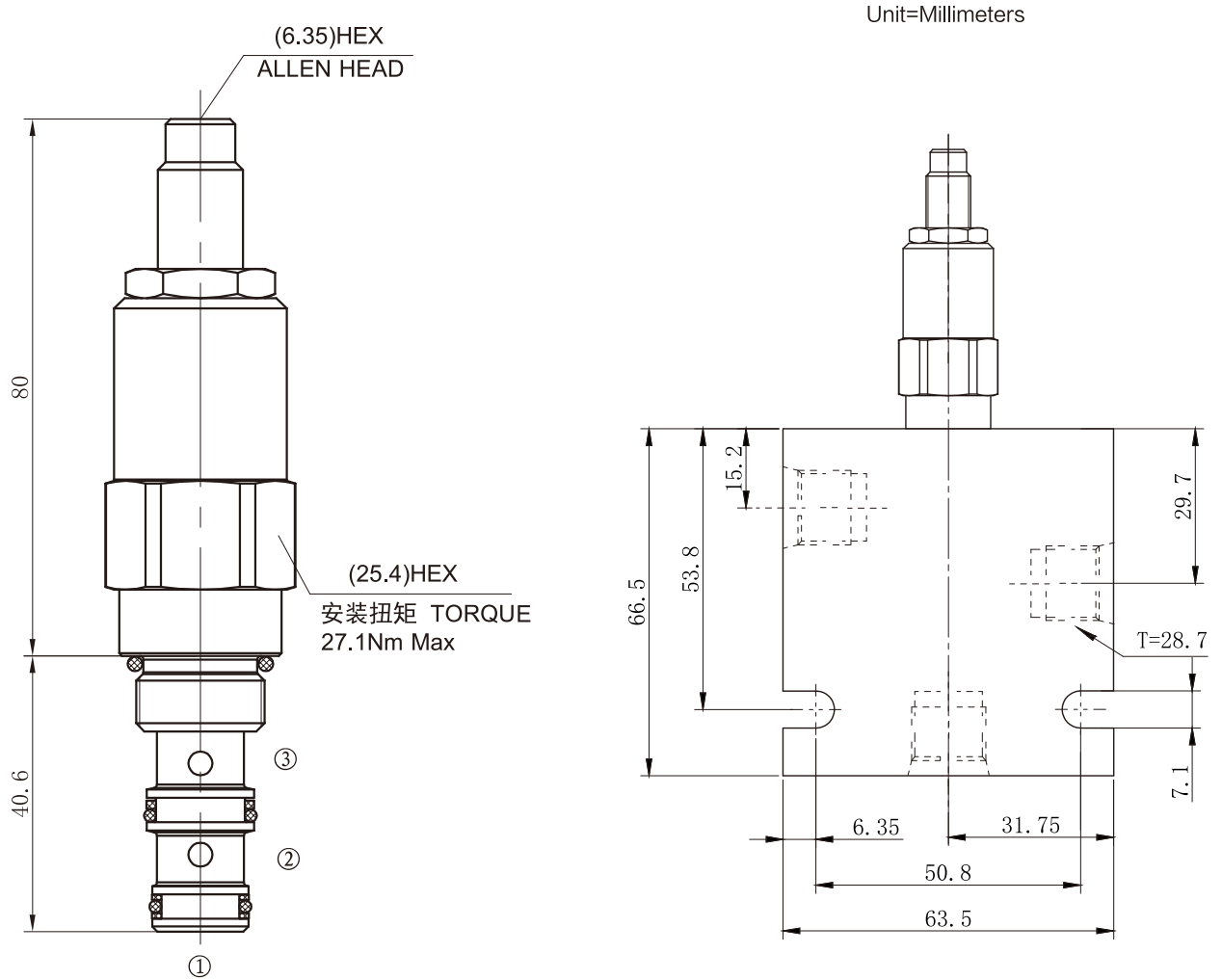
— Max. Setting, 31-165bar Spring
- - - Min. Setting, 3.4-20.7bar Spring



40°C时150 ssu/32 cSt的油液
150 ssu/32 cSt Oil at 40°C
— Max. Setting, 31-165bar Spring



INSTALLATION DIMENSIONS 安装尺寸



Unit=Millimeters

HPS - 08 - * - * / * - *

顺序阀
Spool-type, Sequence Valve
With Internal Pilot and Drain

08 规格 08 Size

弹簧调压范围 Spring Ranges
3=3.5-20.7bar (50-300psi)
6=6.9-41.4 bar (100-600psi)
13=10.3-89.7 bar (150-1300psi)
24=31-165.5 bar (450-2400psi)

调节方式 Adjustment
省略为内六角调节杆
(Omit for 1/4 Hex Allen head)

阀块油口 Body Porting
4T=SAE4
6T=SAE6
2G=G1/4
3G=G3/8
Other Porting is Available
其它螺纹油口也是可以选择的
(Omit for Cartridge only
省略为不带阀块)

设定压力 Setting In Bar
例Example:0160=160bar
Omit for standard 省略则为标准