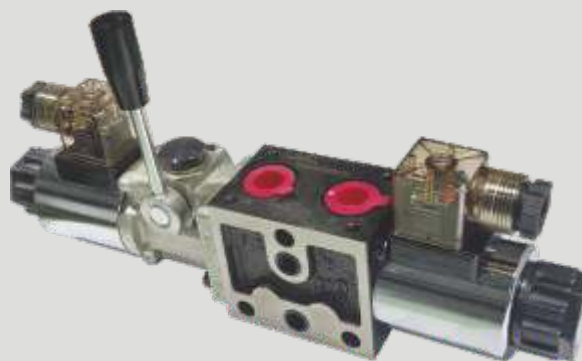
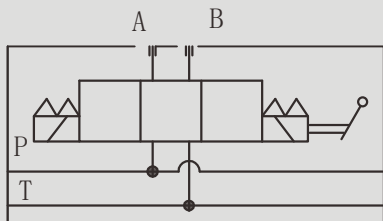


换向阀模块 MWE6-EL

MODULAR DIRECTIONAL
VALVE ELEMENTS MWE6-EL

符号 SYMBOL



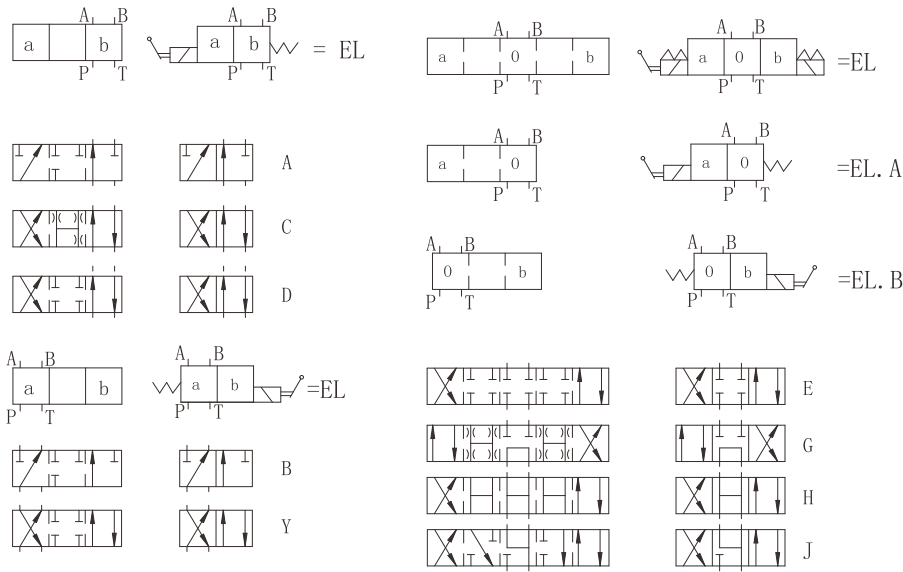
MWE6-EL型方向控制阀是电磁铁操纵的换向阀，用以油液控制的开启、停止和换向。

MWE6-EL series directional control valves are solenoid operated directional spool valves, these valves are used to the start, stop and direct flow.

▶ 技术参数 Technical data

通径 / Size	6
最大流量 / Max flow rate (L/min)	40
工作压力 / Operating pressure (MPa)	31
阀体 (材料) 表面处理 Valve body (Material) Surface treatment	铸件表面磷化处理 casting phosphating surface
油液清洁度 Oil cleanliness	NAS 1638 级和 ISO4406 20/18/15 级 NAS class 1638 和 ISO4406 class 20/18/15

▶ 机能符号 Spool symbols



示例：阀芯E带阀芯位置“a”
订货型号...EA...

For example:
the spool symbol "E" with position "a"
Ordering code ...EA...

▶ 订单选型 Ordering Details

MWE 6 EL VA E 60 / * DC24 N Z5L * *

型号 Model

通径 6 Size 6

EL= 带手动换向模块
EL=With hand lever

手柄装置位置
Position of lever device
VA V1 详见外形图
See External dimensions

机能符号 Spool type

系列号 60=60螺纹连接电磁铁
Series 60=60 Solenoid coils with
thread connection

螺纹连接 Threaded connection
无 =G3/8 No code=G3/8

For further details 附加说明

无 = 丁晴橡胶 V= 氟橡胶
No code=NBR seals
V=FPM seals

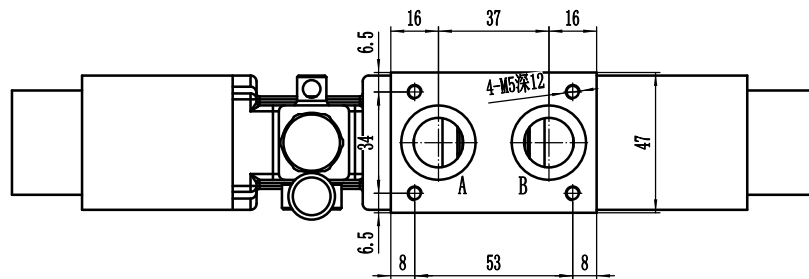
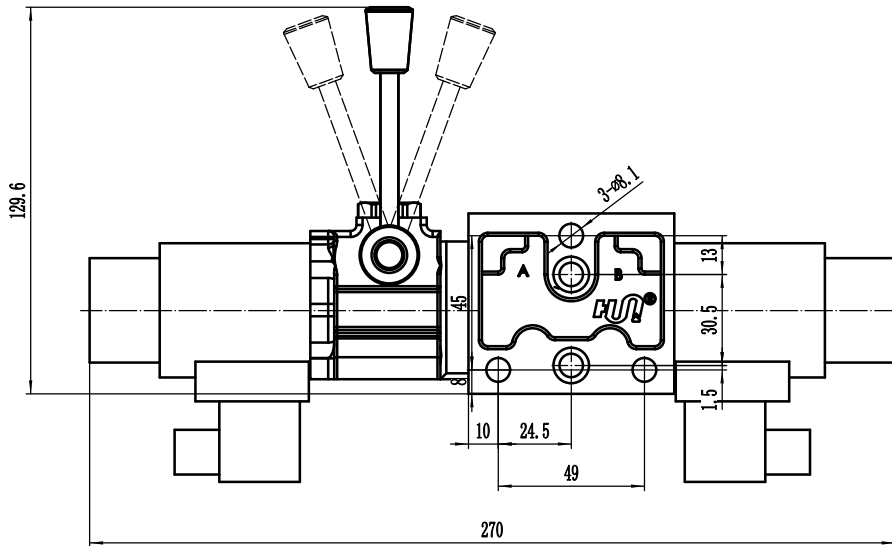
Z5L= 带灯大方形插头
ER= 德意志插头
Z5L= Large quadrate plug with light
ER=Deutsch Connector

N= 有故障检查按钮
N=With concealed manual override

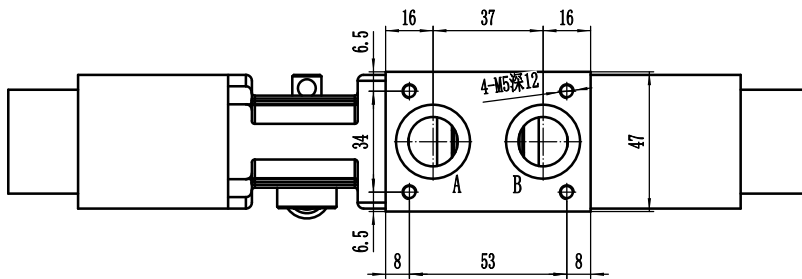
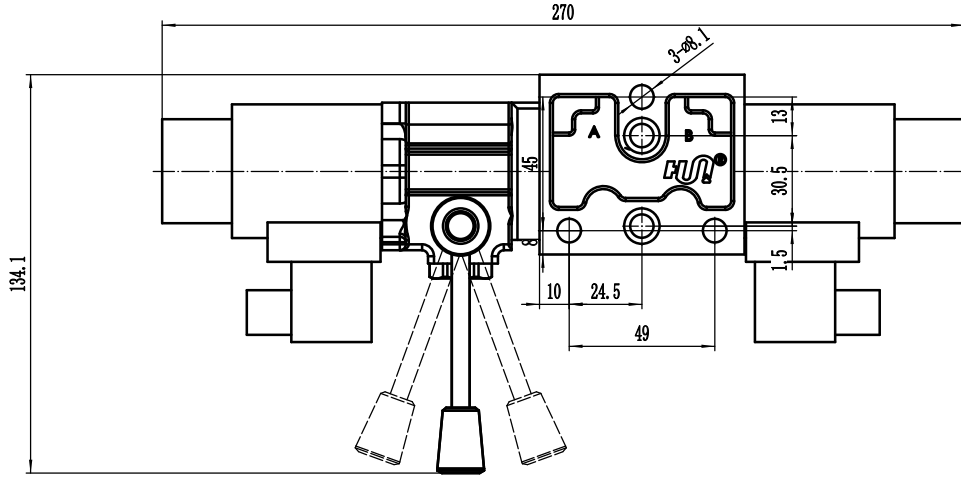
电压 Voltage DC12;DC24 ;AC110;AC220

▶ 外形及安装尺寸 External Dimensions and Fittings

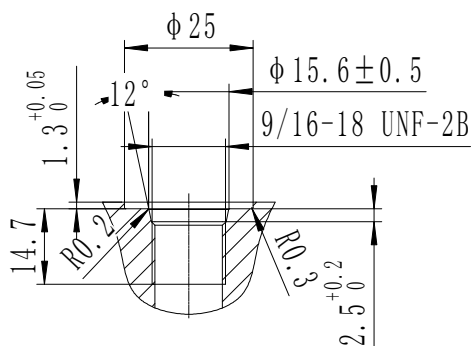
MWE6EL-VA



MWE6EL-V1



A、B口油口尺寸



A、B口油口尺寸

