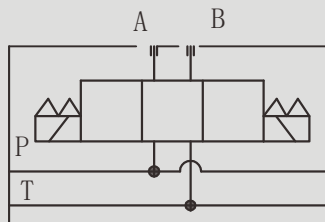


换向阀模块 MWE6

MODULAR DIRECTIONAL VALVE ELEMENTS MWE6

符号 SYMBOL



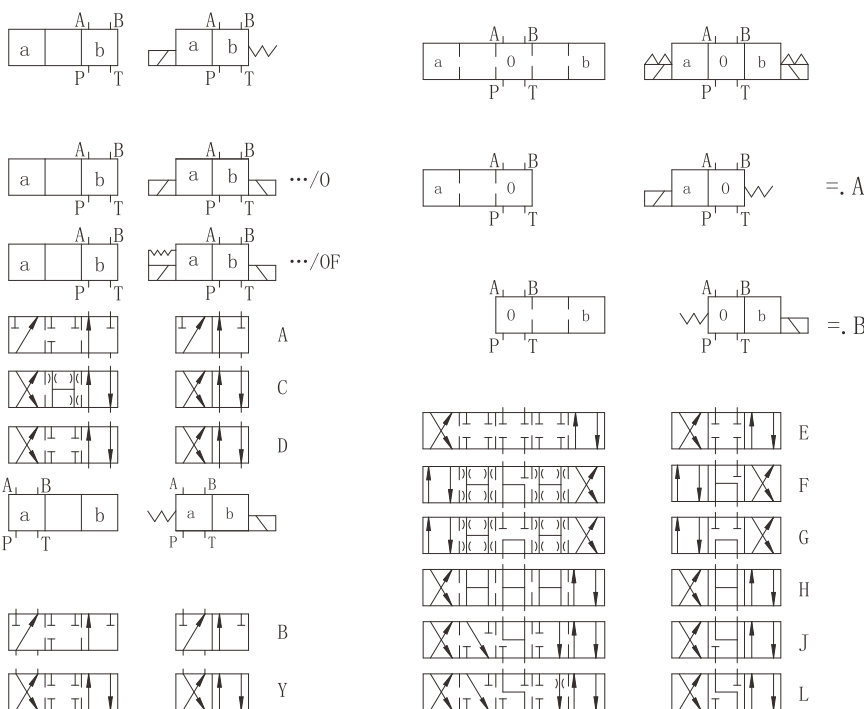
MWE6 型方向控制阀是电磁铁操纵的换向阀，用以油液控制的开启、停止和换向。

MWE6 series directional control valves are solenoid operated directional spool valves, these valves are used to the start, stop and direct flow.

▶ 技术参数 Technical data

| | |
|---|--|
| 通径 / Size | 6 |
| 最大流量 / Max flow rate (L/min) | 40 |
| 工作压力 / Operating pressure (MPa) | 31 |
| 阀体 (材料) 表面处理 Valve body (Material) Surface treatment | 铸件表面磷化处理 casting phosphating surface |
| 油液清洁度 Oil cleanliness | NAS 1638 级和 ISO4406 20/18/15 级 NAS class 1638 和 ISO4406 class 20/18/15 |

机能符号 Spool symbols



示例：阀芯E带阀芯位置“a”
订货型号...EA...

For example:
the spool symbol "E" with position "a"
Ordering code ...EA...

订单选型 Ordering Details

MWE 6 E 60 / * * DC24 N Z5L * *

型号 Model

通径 6 Size 6

机能符号 Spool type

系列号 60=60螺纹连接电磁铁
Series 60=60 Solenoid coils with
thread connection

无=弹簧复位;O=无复位弹簧;OF=带定位器
No code=With spring return;O=Without spring return
OF=Without spring return with detent

螺纹连接 Threaded connection
无 =G3/8 No code=G3/8

For further details 附加说明

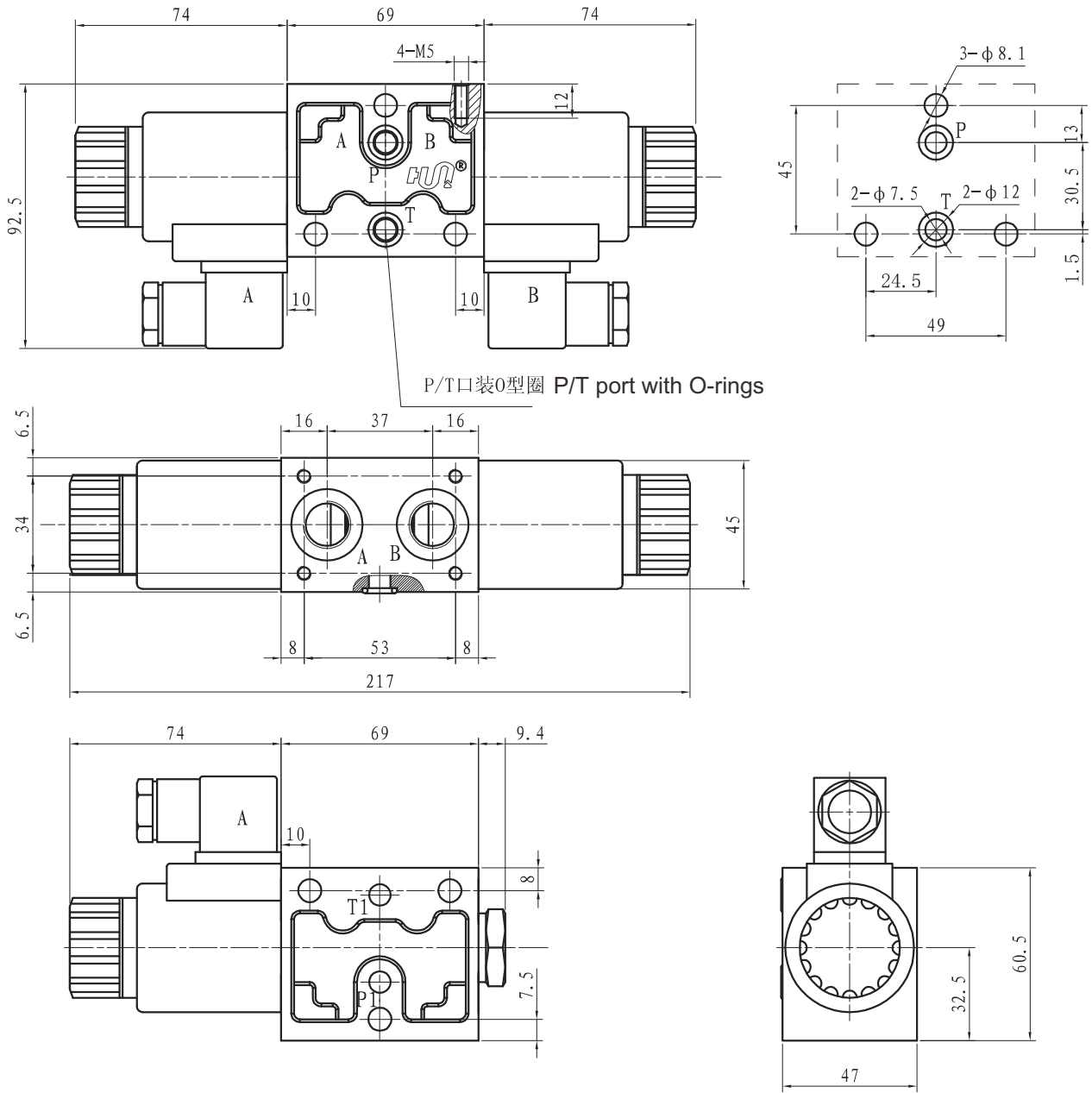
无 = 丁晴橡胶 V= 氟橡胶
No code=NBR seals
V=FPM seals

Z5L= 带灯大方形插头
ER= 德意志插头
Z5L= Large quadrate plug with light
ER=Deutsch Connector

N= 有故障检查按钮
N=With concealed manual override

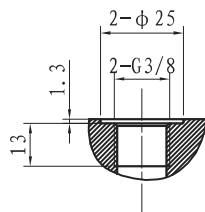
电压 Voltage DC12;DC24 ;AC110;AC220

外形及安装尺寸 External Dimensions and Fittings



P/T口装O型圈 P/T port with O-rings

当油口 A,B 为 G3/8 时剖视图
Sectional view of A,B oil port G3/8



当油口 A,B 为 SAE8 时剖视图 1.5:1
Sectional view of A,B oil port SAE8 1.5:1

