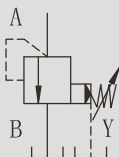


PB20K型插装式先导溢流阀

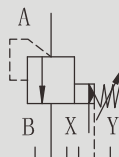
PB20K SERIES PLUG-IN PILOT CONTROLLED PRESSURE RELIEF VALVES

符号 SYMBOL

PB20K/...Y



PB20K.../...XY



PB20K 型溢流阀是插装式先导溢流阀，用于限制液压系统压力。

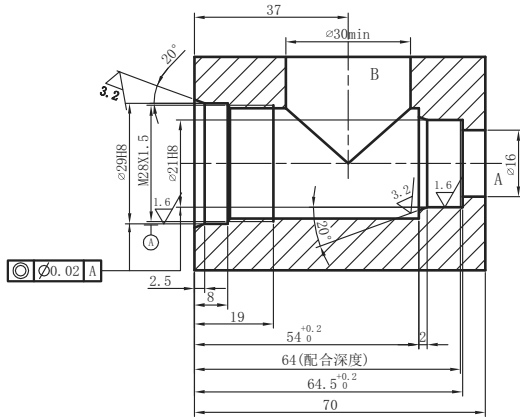
PB20K series are pilot operated relief valves used to limit pressure in a hydraulic system.

▶ 技术参数 Technical data

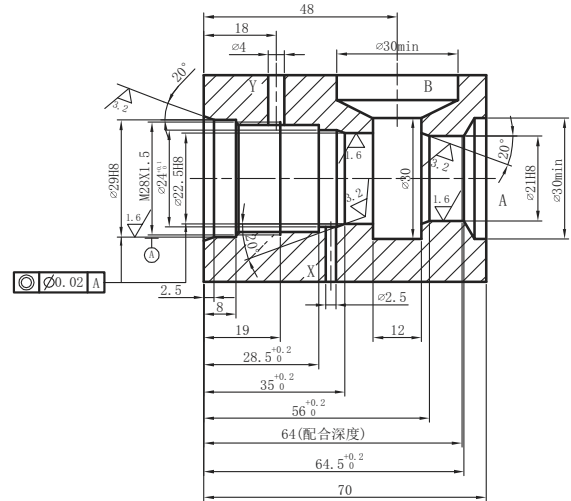
通径 Size	20
工作压力 (Mpa) Operating pressure (Mpa)	31.5
调节压力 (Mpa) Set pressure (Mpa)	至 5, 10, 20, 31.5 / Up to 5, 10, 20, 31, 5
最大流量 (L/min) Max. flow rate (L/min)	300
介质温度 (°C) Fluid temperature (°C)	-20 ~ 70
过滤精度 (μm) Filtration accuracy (μm)	25
重量 (千克) Weight (KGS)	0.35
阀体 (材料) 表面处理 Valve body (Material) Surface treatment	钢件 表面发黑处理 Steel Body Surface Black Oxide
油液清洁度 / Oil cleanliness	NAS1638 9 级和 ISO4406 20/18/15 级 NAS1638 class 9 and ISO4406 class 20/18/15

▶ 安装尺寸 Installation dimensions

PB20K.../...Y



PB20K.../...XY



PB	20	K	1	10	100	Y	*	*
----	----	---	---	----	-----	---	---	---

型号 Model

口径: 20 Size: 20

K = 插装式连接
K = Cartridge valve

1=手柄; 2 = 带保护调节螺栓
1=Rotary handle
2=Adjustable screw with protective cap

10 = 10系列适用于20
10=10series are suitable for 20

For further details 附加说明

无 = 丁晴橡胶 V= 氟橡胶
No code = NBR seals
V = FPM seals

Y= 先导控制油内供外排
XY= 先导控制油外供外排 (仅 PB20K)
Y = Internally pilot, externally drained
XY = External pilot, externally drained
(Only for PB20K)

压力等级 Pressure rating
50=5 MPa 100=10 MPa 200=20 MPa 315=31.5 Mpa