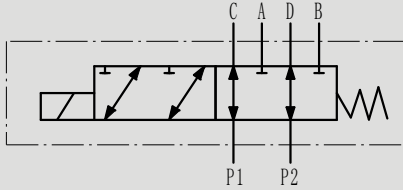


ZVH6 多回路选择阀

ZVH6 FLOW DIVERTERS



符号 SYMBOL

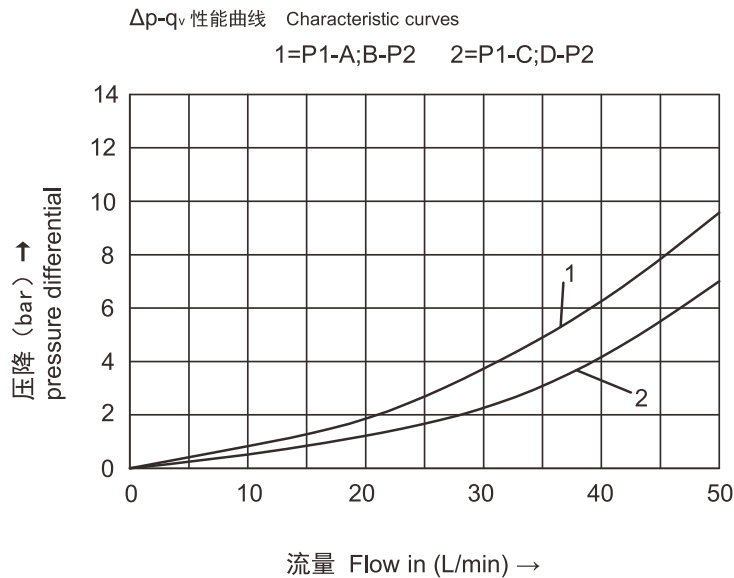


▶ 技术参数 Technical data

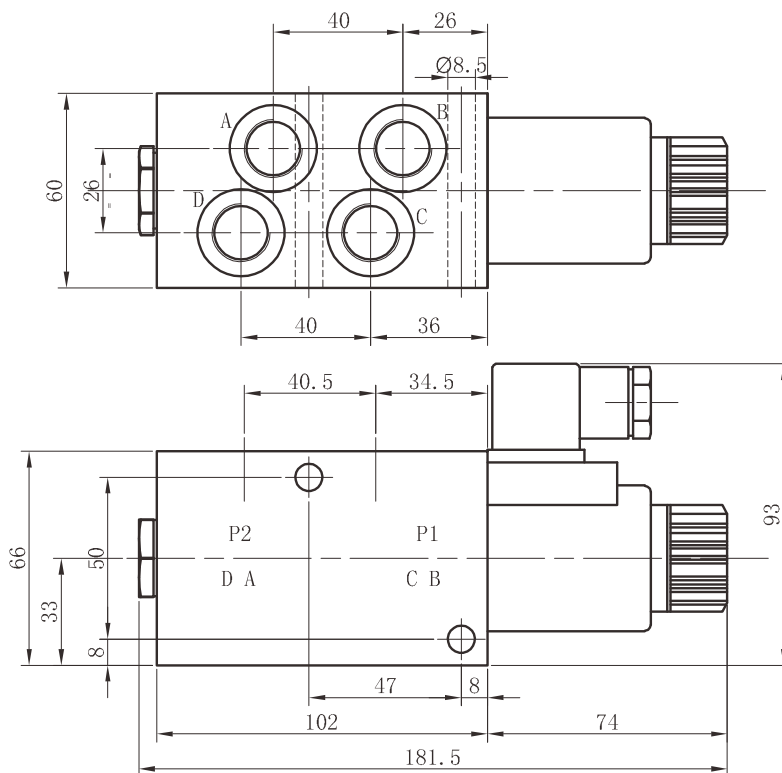
型号 Model	ZVH6
最大流量 (L/min) Max Flow rate (L/min)	50
最大工作压力 (Mpa) Max operating pressure(MPa)	21
阀体 (材料) 表面处理 Valve body (Material) Surface treatment	(铸件) 表面磷化处理 / (casting) phosphating surface
油液清洁度 Oil cleanliness	NAS1638 9 级和 ISO4406 20/18/15 级 NAS1638 class 9 and ISO4406 class 20/18/15

▶ 特性曲线 (在使用 HLP46 , $\vartheta_{\text{油}}=40\text{ }^{\circ}\text{C} \pm 5\text{ }^{\circ}\text{C}$ 时测得)

Characteristic curves (measured with HLP46 , $\text{Voil}=40\text{ }^{\circ}\text{C} \pm 5\text{ }^{\circ}\text{C}$)



安装尺寸 Installation Dimensions



ZVH6 | * | N | Z5L | G 3/8 | *

电压 Voltage DC12;DC24

N= 有故障检查按钮
N=With concealed manual override

Z5L= 带灯大方形插头
Z5L=Large quadrate plug with light

附加说明
For further details

螺纹连接 Threaded connection
G 3/8