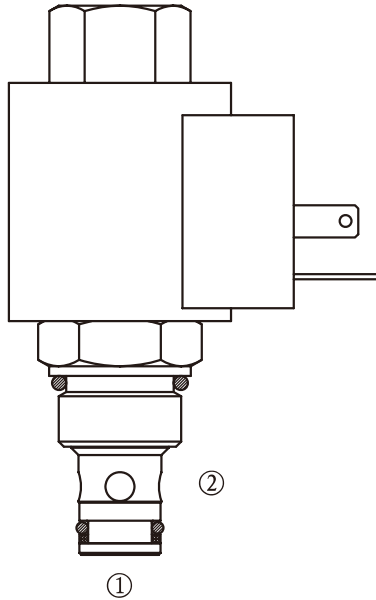


HSV08-21

二位二通电磁阀 常开 锥阀型

Normally-Open, Two-Way, Two-Position
Poppet Type Cartridge Solenoid Valve



OPERATION

工作原理

When de-energized, the valve allows flow from ② to ①. Flow from ① to ② is severely restricted in this mode.

When energized, the valve's poppet closes on its seat, blocking flow from ② to ①. The cartridge will allow ① to ② flow after overcoming the solenoid force.

当电磁铁不通电时，从②口到①口方向通，反向被严重节流；

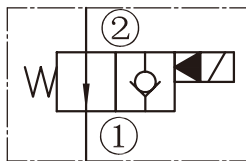
当电磁铁通电时，②口到①口不通，当①口压力超过电磁铁力，①口到②口方向打开。

Operation of Manual Override Option: To override, push button in to activate. To return to normal valve function, release button.

推进按钮，②到①关闭；释放按钮，返回到常态。

SYMBOL

机能符号



FEATURES

特性

- Continuous-duty solenoid. · 可持续工作的电磁铁。
- Hardened seat for long life. · 长寿命的阀。
- Optional coil voltages and terminations. · 可选择的线圈电压和终端。
- Efficient wet-armature construction. · 高效能的电磁铁结构。
- Industry common cavity. · 工业通用插孔。
- Compact size. · 结构紧凑。

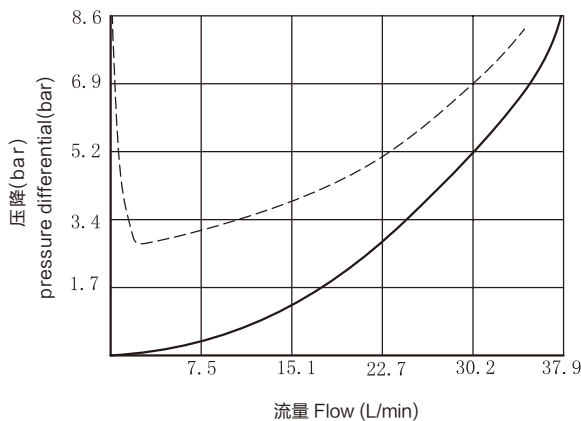
PRESSURE DROP VS.FLOW

性能图

② to ① ——— De-energized; 不通电

① to ② - - - - - Energized; 通电

38°C时150 ssu/32 cSt的油液 150 ssu/32 cSt Oil at 38°C



SPECIFICATIONS

技术参数

最大工作压力 Max. operating pressure: 207 Bar

流量 Flow rate (L/min): 参见性能图 See Pressure Drop Vs. Flow graph

内泄漏 Internal Leakage: 3 drops/min. Max at 207 Bar

介质温度范围(°C) Fluid temperature range(°C): -30 ~ +120

线圈电压范围 Coil Rating: 90%~110% Of rated Voltage

过滤 Filtration: Critical Application - ISO 18/16/13

Non-Critical Application - ISO 19/17/14

介质 Fluids: 矿物油。其它流体的选择请咨询工厂。

Mineral-based fluids.

For other fluid compatibility consult factory.

插孔 Cavity: 08-2

阀块材料 Body Material:

6061-T6铝，允许使用最大压力20.7MPa

钢材允许使用最大压力35MPa

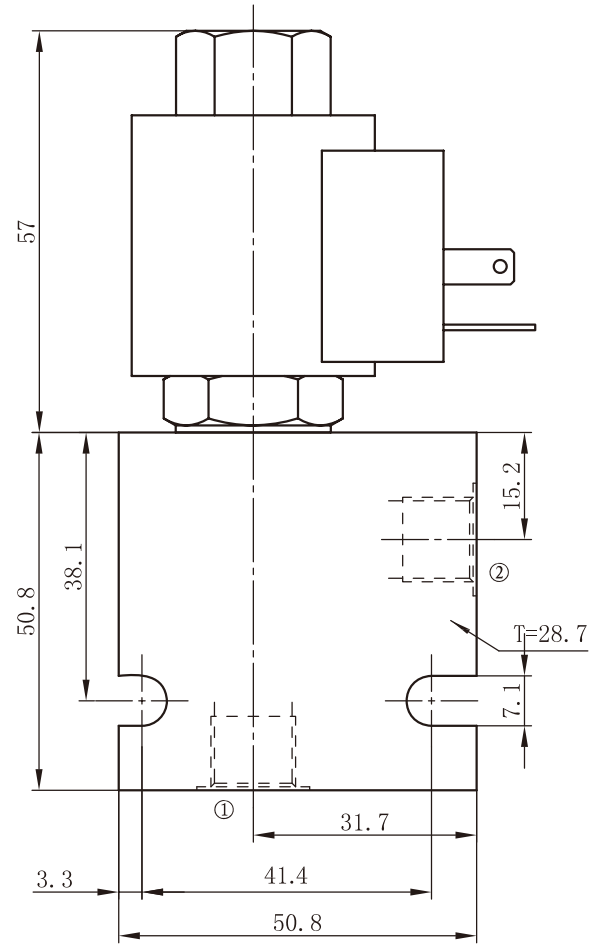
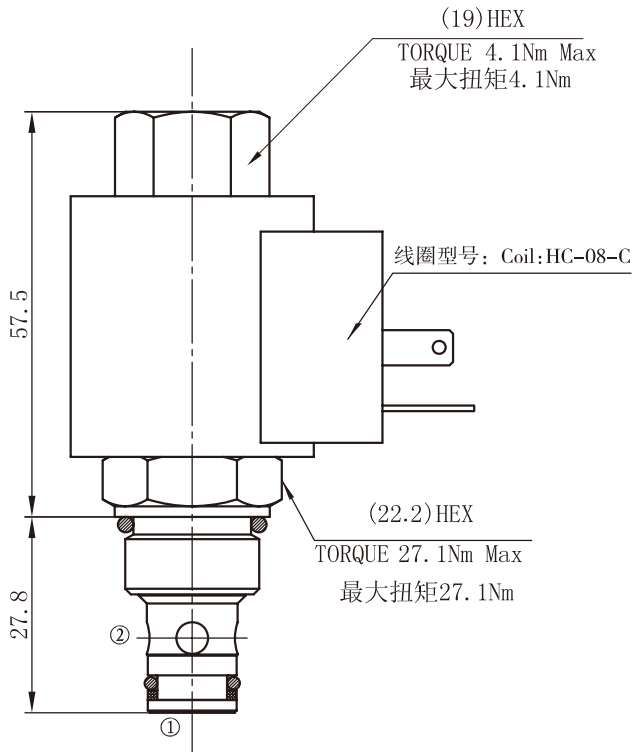
Anodized 6061-T6 aluminum alloy rated at 20.7MPa

Steel rated at 35 MPa

INSTALLATION DIMENSIONS 安装尺寸

Coil Must Be Installed With Lettering Up
安装线圈时，字母必须朝上。

Unit=Millimeters



HSV08-21- * - * - * - * - * - *

电磁阀 Solenoid Valve

S=Screen 过滤网
Omit for standard 省略为常规

M=Manual Override 手动卸荷
Omit for standard 省略为常规

油封 Seal Kits
无 = 丁晴橡胶 (标准型)
Omit for Buna N (standard)

VOLTAGE 电压
1=12V Volt DC
2=24V Volt DC
3=110V Volt AC
4=220V Volt AC

BODY PORTING 阀块油口

4T=SAE4
6T=SAE6
2G=G1/4
3G=G3/8

Other Porting is Available
其它螺纹油口也是可以选择的
(Omit for Cartridge only
省略为不带阀块)

COIL CONNECTION 线圈连接

D=Double Lead 双线
H=Hirschmann 三插
ER=Deutsch Connector
(Water proof Coil)
德意志插座 (防水线圈)